



RC8B TEAM KIT



#80939 RC8B3.2 TEAM KIT

1:8 Scale Nitro 4WD Off Road Competition Buggy Kit Manual & Catalog



CHAMPIONS *by* DESIGN

AssociatedElectrics.com

TEAM ASSOCIATED

:: Introduction

Thank you for purchasing this Team Associated product. This assembly manual contains instructions and tips for building and maintaining your new Kit. Please take a moment to read through this manual to help familiarize yourself with these steps. We are continually changing and improving our designs; therefore, actual parts may appear slightly different than in the illustrations. New parts will be noted on supplementary sheets located in the appropriate parts bags. Check each bag for these sheets before you start to build.

:: KIT Features

Features in the RC8B3.2 Kit:

- New suspension arm design with inserts for flex adjustments
- Longer rear suspension arm length with narrow rear arm mounts
- New center bulkhead splits and has front/rear specific top halves to prevent brake misalignment
- Enclosed battery box for quick and easy battery removal
- Larger receiver box for better wire management
- One-piece graphite transponder and electronic switch mount
- Flex Control radio tray has three different configurations for chassis flex adjustment
- New stiff shock bladder design improves jumping and handling performance
- Updated shock cap works for bladder or emulsion style shock setups
- Shorter and lower front bumper reduces drag and allows easier access to anti-roll bar screws
- I.F.M.A.R. approved rear wing
- 42T ring and 12T pinion gears on front and rear differentials for improved gear ratios
- Updated chassis with chamfered front edges to reduce drag
- Side guards are now threaded into the chassis from the top side of the car
- 90% parts compatibility with RC8B3.1

:: Additional

Your new RC8B3.2 Kit comes as a kit. There are some items you will need to complete your kit (refer to catalog for suggestions):

- .21 class rear exhaust engine
- Exhaust system
- Starter box - (#1751)
- Polycarbonate-specific paint
- 2 or 3 channel radio/transmitter set with switch - /2.4GHz recommended
- 4.8-7.4v receiver battery (Flat style NiMH, Flat style LiPo - #27313, Flat style LiFe - #27315)
- Transmitter batteries
- Steering servo - (#27107, #2710)
- Throttle servo - (#27106, #27100)
- Thread-locking compound - (#1596)
- Model car fuel (20-30% nitro recommended)
- Fuel bottle - (#1747)
- Glow igniter
- 1:8 scale buggy tires
- 1:8 scale buggy wheels
- CA (cyanoacrylic) glue - (#1597)
- Needle-nose pliers
- Hobby knife
- Reamer / hole punch
- Ride height gauge

:: Other Helpful Items

- Silicone Shock/Diff Fluids (Refer to catalog for complete listings)
- Body Scissors (AE #1737)
- Shock Pliers - (#1675)
- FT Hex Wrenches - (#1518)
- FT Nut Drivers - (#1519)
- Reamer / Hole Punch - (#1499)
- Wire Cutters
- Calipers or a Precision Ruler

Associated Electrics, Inc.
21062 Bake Parkway.
Lake Forest, CA 92630



Customer Service
Tel: 949.544.7500
Fax: 949.544.7501

:: Hardware - 1:1 Scale View

Flat Head (fhcs)

	2.5x6mm (4675)
	2.5x8mm (31448)
	3x6mm (31541)
	3x8mm (25201) Titanium (91592)
	3x10mm (25202) Titanium (91593)
	3x12mm (25203) Titanium (91594)
	3x14mm (89208) Titanium (91595)
	3x30mm (89212)
	4x10mm (81262)
	4x12mm (89214)
	4x14mm (89217)
	4x16mm (81263)
	4x20mm (81264)

Button Head (bhcs)

	2.5x6mm (31520)
	2.5x8mm (31521)
	2.5x18mm (81259)
	3x6mm (31531) Titanium (91580)
	3x10mm (25211)
	3x14mm (25187) Titanium (91584)
	3x16mm (89203) Titanium (91585)
	3x20mm (25188)
	3x24mm (89204) Titanium (91589)
	4x14mm (81260)
	4x16mm (81261)

Socket Head (shcs)

	2x5mm (31511)
	2x16mm (7184)
	3x8mm (89223)
	3x10mm (25620)
	3x24mm (89225)

Set Screws

	3x3mm (25225)
	3x6mm (81257)
	3x10mm (4671)
	3x12mm (81258)
	4x4mm (7732)
	5x4mm (89221)

Ball Bearings

	5x8x2.5mm (8680)
	5x10x4mm (91560)
	6x10mm (31404)
	6x12x4mm (91561)
	8x16x5mm (91564)
	8x16x5mm flanged (91565)
	15x21x4mm (91566)

Nuts (lock/plain)

	M3 Nut (91477)
	M3 Alum. Locknut, Blue (31550)
	M3 Locknut, Black (25215)
	M3 Locknut w/Flange (25612)
	FT 3mm Locknuts, Blue(25392)
	FT M4 Locknut, Blue (31551)
	M4 Locknut, Serrated (91738)

:: Table of Contents

1..... Cover	16 - 18.....Rear End Build (Bag 7.1, 7.2, 7.3)
2..... Introduction	19.....Rear Hubs Build (Bag 8.1, 8.2)
3..... 1:1 Hardware "Fold Out"	20 - 21.....Center Bulkhead Build (Bag 9.1)
4..... Table of Contents	21 - 22.....Linkages Build (Bag 10.1)
5 - 7.....Differentials Build (Bag 1.1, 1.2)	22 - 23.....Radio Tray Build (Bag 11.1)
7 - 8.....Shocks Build (Bag 2.1)	23 - 26.....Clutch / Filter Build (Bag 12.1, 12.2)
9.....Turnbuckles Build (Bag 3.1, 3.2)	26 - 27.....Fuel Tank Build (Bag 13.1, 13.2)
10 - 11.....Steering / Chassis Build (Bag 4.1, 4.2)	27 - 28.....Wheels / Tires / Body (Misc.)
11 - 14.....Front Gearbox Build (Bag 5.1, 5.2, 5.3)	29 - 41..... Droop Settings / Catalog
14 - 15.....Steering Blocks Build (Bag 6.1, 6.2)	42..... Back Cover

:: Notes



This symbol indicates a special note or instruction in the manual.



This symbol indicates a Racers Tip.



There is a 1:1 hardware foldout page in the front of the manual. To check the size of a part, line up your hardware with the correct drawing until you find the exact size. Each part in the foldout has a number assigned to it for ordering replacement parts.

**Associated Electrics, Inc.
21062 Bake Parkway.
Lake Forest, CA 92630**



**Customer Service
Tel: 949.544.7500
Fax: 949.544.7501**

:: Differential Build (Front and Rear) - Bag 1.1, 1.2 - Step 1

#6588 black grease

81379 Diff Case

81385 Outdrive O-Ring 5.8x1.9mm

91564 8x16x5 Bearing

81381 Diff Shim 6x8x0.20mm

#6588 black grease

81008 15mm Outdrive, Rear Diff

81012 17mm Outdrive, Front Diff

81380 Pin 2.5x12mm

81380 Diff Sun Gear, 20T, HTC

Set aside 13x15.8mm shims until diff install

Align pin with groove in sun gear

:: Differential Build (Front and Rear) - Bag 1.1, 1.2 - Step 2

81381 x4 Diff Shim 3.6x12x0.12mm

81380 x2 Diff Crosspin

81380 x4 Diff Planet Gear, 10T, HTC

Racer's Tip:
You can use #81385 planet o-ring between the planet gears and the diff shims as a tuning option.
Do not install 3.3x1.5mm planet o-ring for kit setup.

:: Differential Build (Front and Rear) - Bag 1.1, 1.2 - Step 3

#6588 black grease

81009 Diff Ring Gear, 42T

81385 Outdrive O-Ring 5.8x1.9mm

91564 8x16x5 Bearing

81381 Diff Shim 6x8x0.20mm

#6588 black grease

81008 15mm Outdrive, Rear Diff

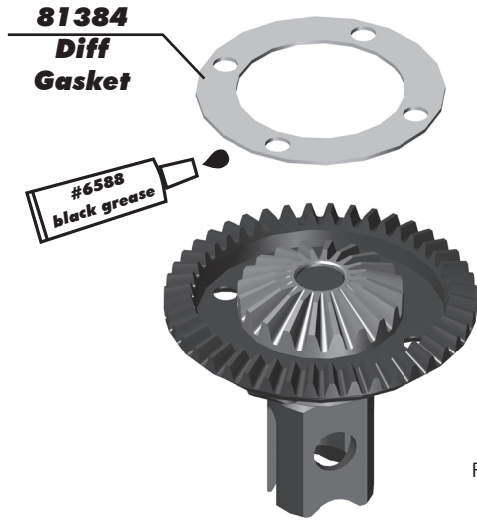
81012 17mm Outdrive, Front Diff

81380 Pin 2.5x12mm

81380 Diff Sun Gear, 20T, HTC

Align pin with groove in sun gear

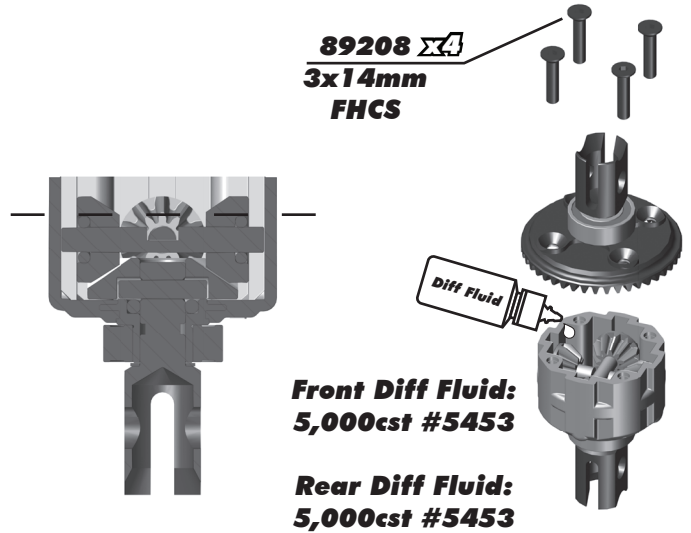
:: Differential Build (Front and Rear) - Bag 1.1, 1.2 - Step 4



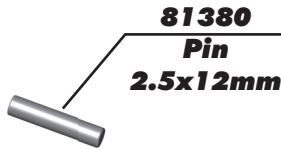
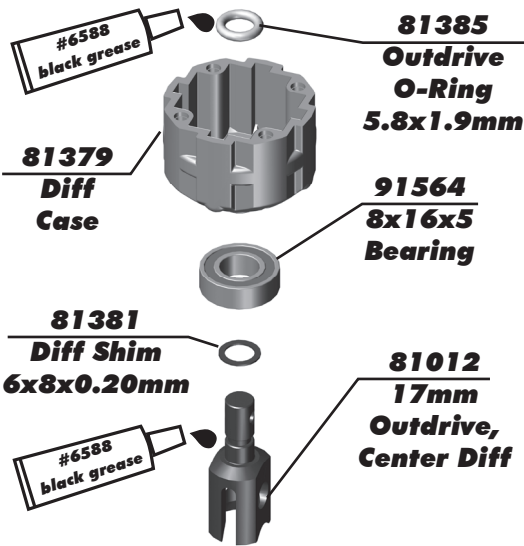
Racer's Tip:
Use black grease (#6588) to coat the diff gasket before installation!



Racer's Tip:
Fill diff above the cross pins, below the planet gears as shown.

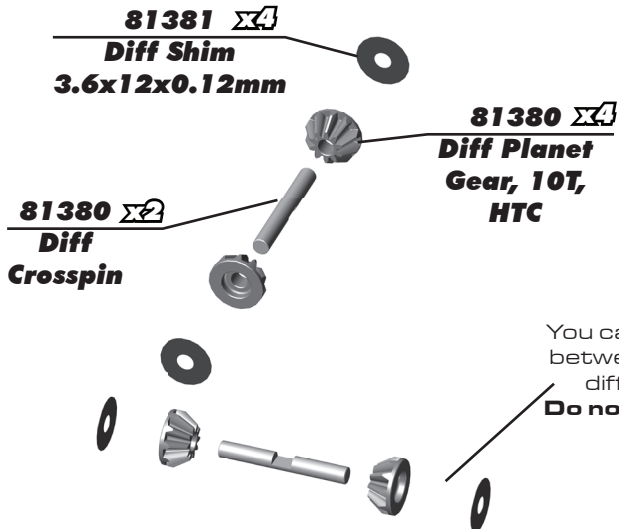


:: Differential Build (Center) - Bag 1.1, 1.2 - Step 5

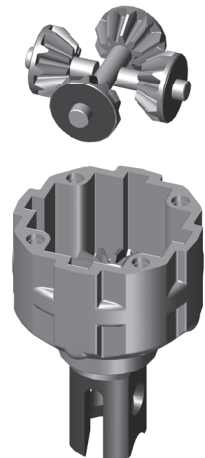


Align pin with groove in sun gear

:: Differential Build (Center) - Bag 1.1, 1.2 - Step 6



Racer's Tip:
You can use #81385 planet o-ring between the planet gears and the diff shims as a tuning option. Do not install 3.3x1.5mm planet o-ring for kit setup.



:: Differential Build (Center) - Bag 1.1, 1.2 - Step 7

#6588 black grease

81385 Outdrive O-Ring 5.8x1.9mm

81386 Spur Gear, 46T

81381 Diff Shim 6x8x0.20mm

#6588 black grease

91564 8x16x5 Bearing

81012 17mm Outdrive, Center Diff

81380 Pin 2.5x12mm

81380 Diff Sun Gear, 20T, HTC

Align pin with groove in sun gear

:: Differential Build (Center) - Bag 1.1, 1.2 - Step 8

81384 Diff Gasket

#6588 black grease

89208 x4 3x14mm FHCS

Center Diff Fluid: 5,000cst #5453

Racer's Tip:
Use black grease (#6588) to coat the diff gasket before installation!

Racer's Tip:
Fill diff above the cross pins, below the planet gears as shown.

:: Shocks Build - Bag 2.1 - Step 1

81200 Shock Piston (8x1.2 tapered)

89215 2.5mm Shock Piston Locknut

89278 x2 2.6x6mm Washer

81170 TiN Shock Shaft, 3.5x30.5mm (Front)

81173 TiN Shock Shaft, 3.5x42.5mm (Rear)

81160 Shock Body, 30.5mm (Front)

81161 Shock Body, 39.5mm (Rear)

81185 Shock Body O-Ring

81185 O-Ring Hat Bushing

81188 Shock Body Seal Retainer

81186 Shock O-Ring

81185 O-Ring Spacer

Install pistons taper down

Set aside shock pins and M3x6mm set screws until shock installation

:: Shocks Build - Bag 2.1 - Step 2

Racer's Tip:
Use green slime (#1105) to lube the o-rings before installation!

81190 Shock Boots

81194 Shock Rod End and Ball

81452 RC8B3.2 Shock Cap

81453 Bladder, Stiff

81181 Shock Cap Insert

91492 2x4mm BHCS

91492 Gasket

When installing the shock bladder, make sure it is correctly seated within the shock cap as shown.

:: Shocks Build - Bag 2.1 - Step 3

shock fluid

Fill to top of shock body.

Front Shock Fluid: 35wt #5429

Rear Shock Fluid: 30wt #5422

Leave a gap when installing the shock cap.

Compress shock shaft fully. Let shock fluid bleed from cap, then tighten cap.

For more rebound, do not compress shock shaft as far before tightening the shock cap.

:: Shocks Build - Bag 2.1 - Step 4

shock fluid

The springs come with a colored marking pre-installed for easy identification"

81221 Spring Collar O-Ring, 20mm

81221 Spring Collar, 20mm

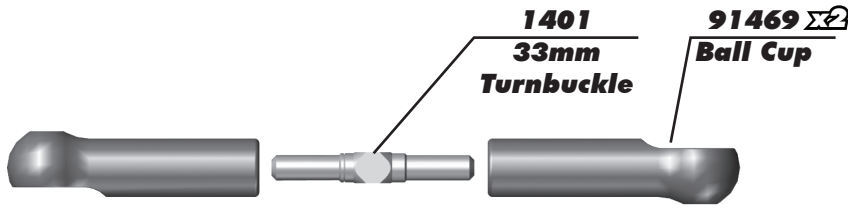
81225 V2 Front Spring, Blue (5.50lb/in)

81231 V2 Rear Spring, Blue (4.30lb/in)

81194 Spring Cup, 20mm

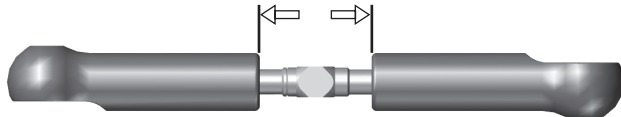
:: Turnbuckles Build - Bag 3.1, 3.2 - Step 1

Steering Servo Turnbuckle



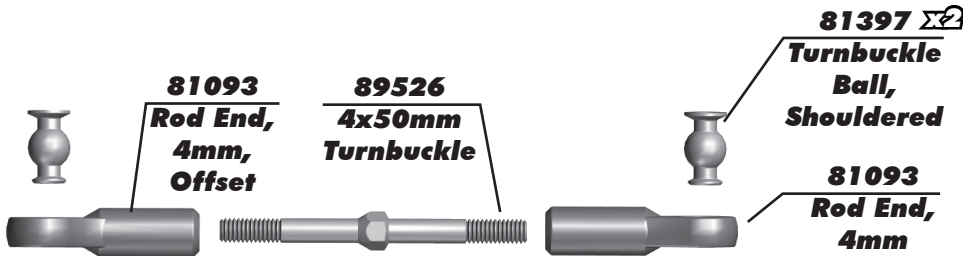
!
Set aside until page 22

11.50mm (0.45")



:: Turnbuckles Build - Bag 3.1, 3.2 - Step 2

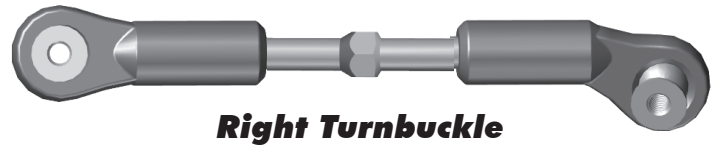
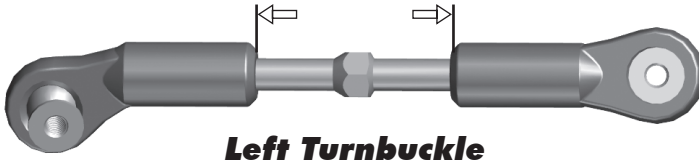
Steering Turnbuckle



!
Note the direction of turnbuckle ball

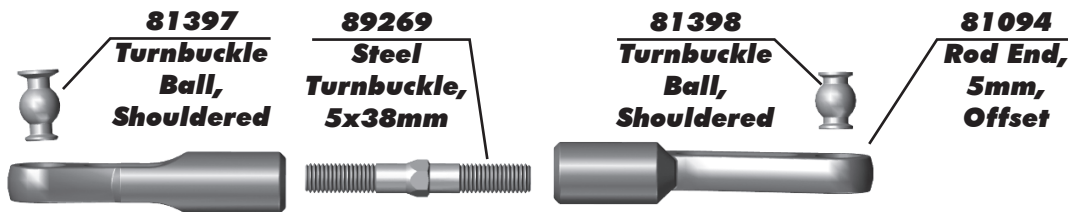
25.00mm (0.98")

!
Set aside until page 15



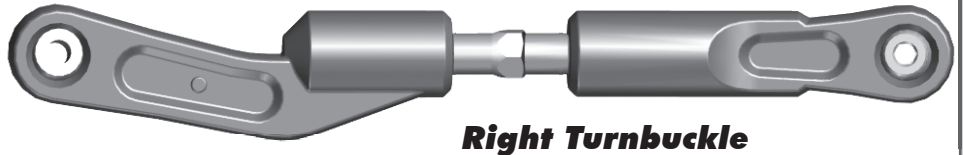
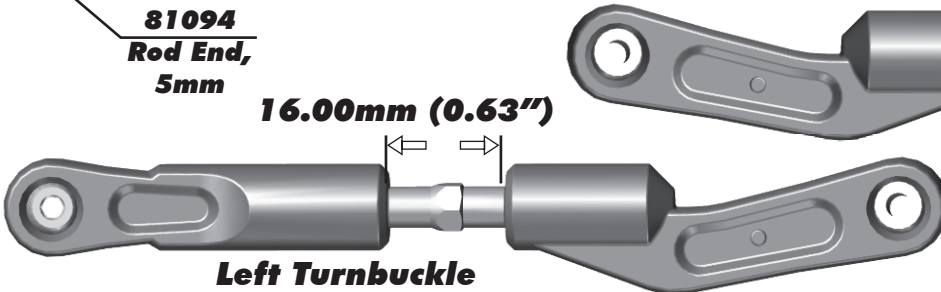
:: Turnbuckles Build - Bag 3.1, 3.2 - Step 3

Rear Hub Turnbuckle

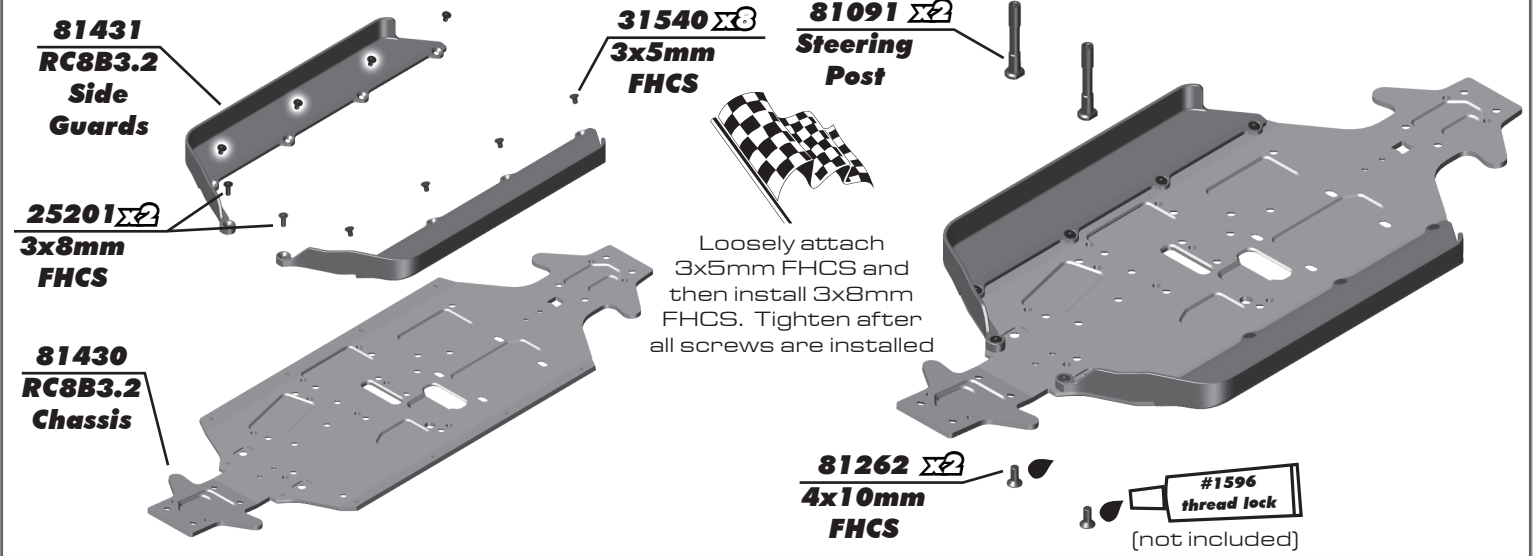


!
Set aside until page 19

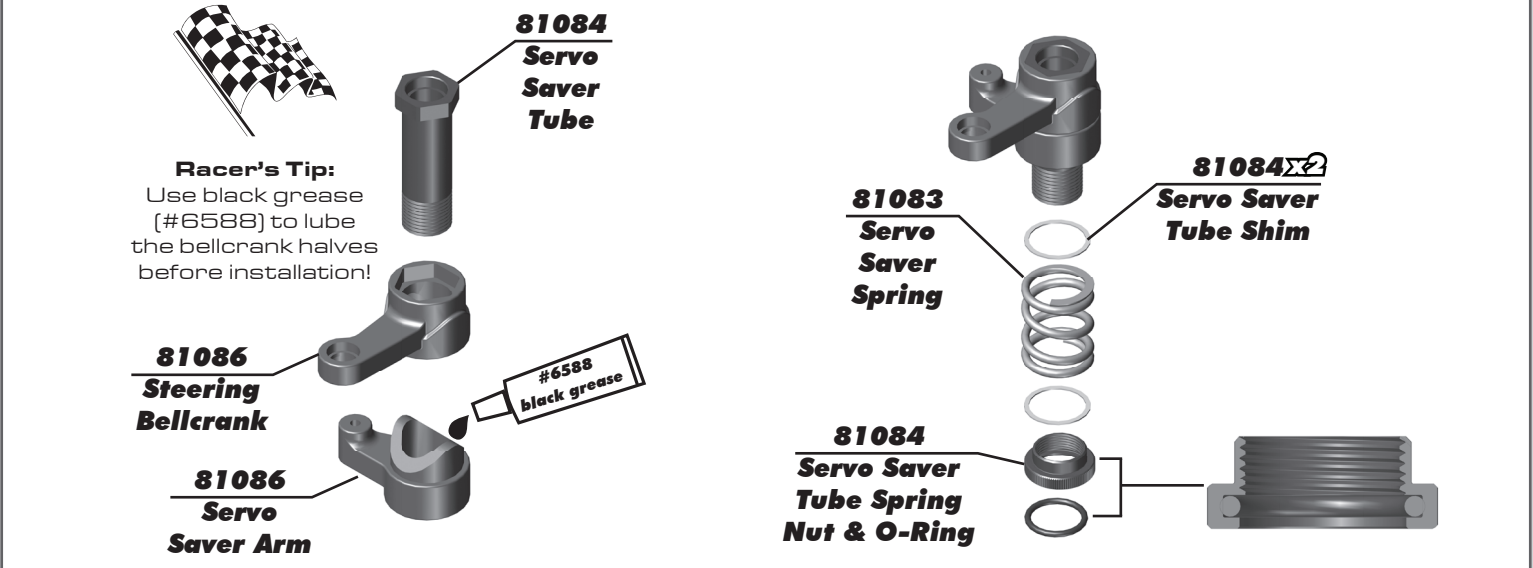
81094 Rod End, 5mm
16.00mm (0.63")



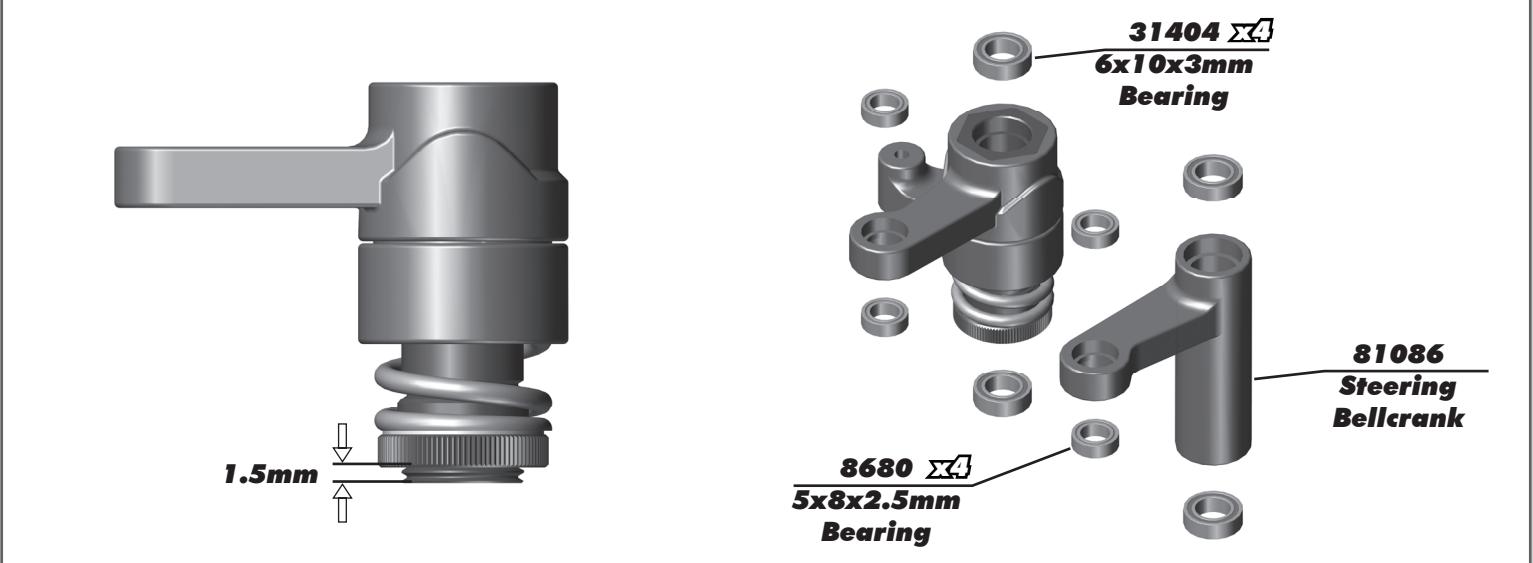
:: Steering / Chassis Build - Bag 4.1, 4.2 - Step 1



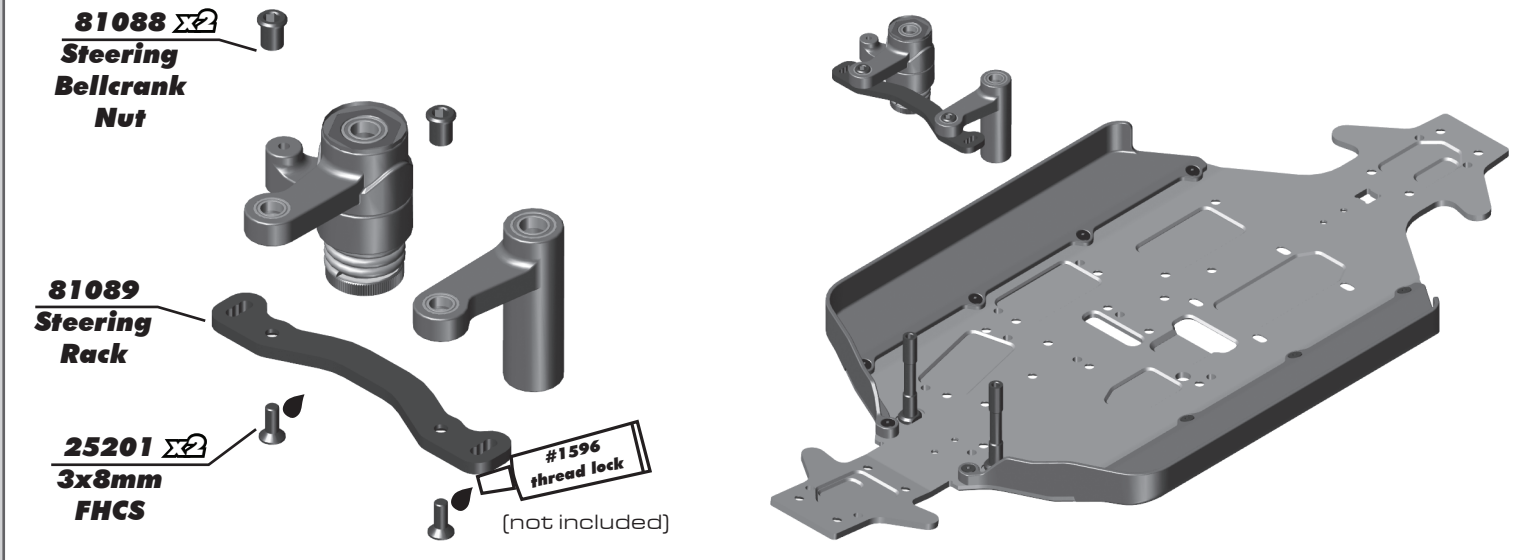
:: Steering / Chassis Build - Bag 4.1, 4.2 - Step 2



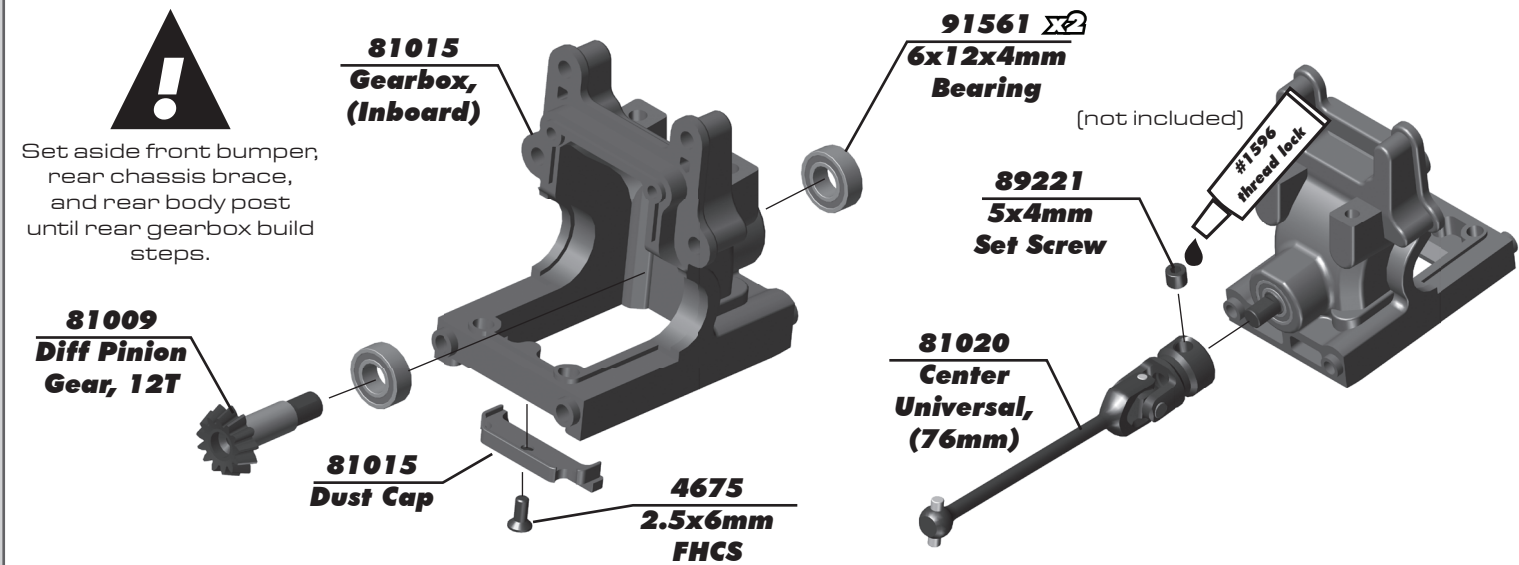
:: Steering / Chassis Build - Bag 4.1, 4.2 - Step 3



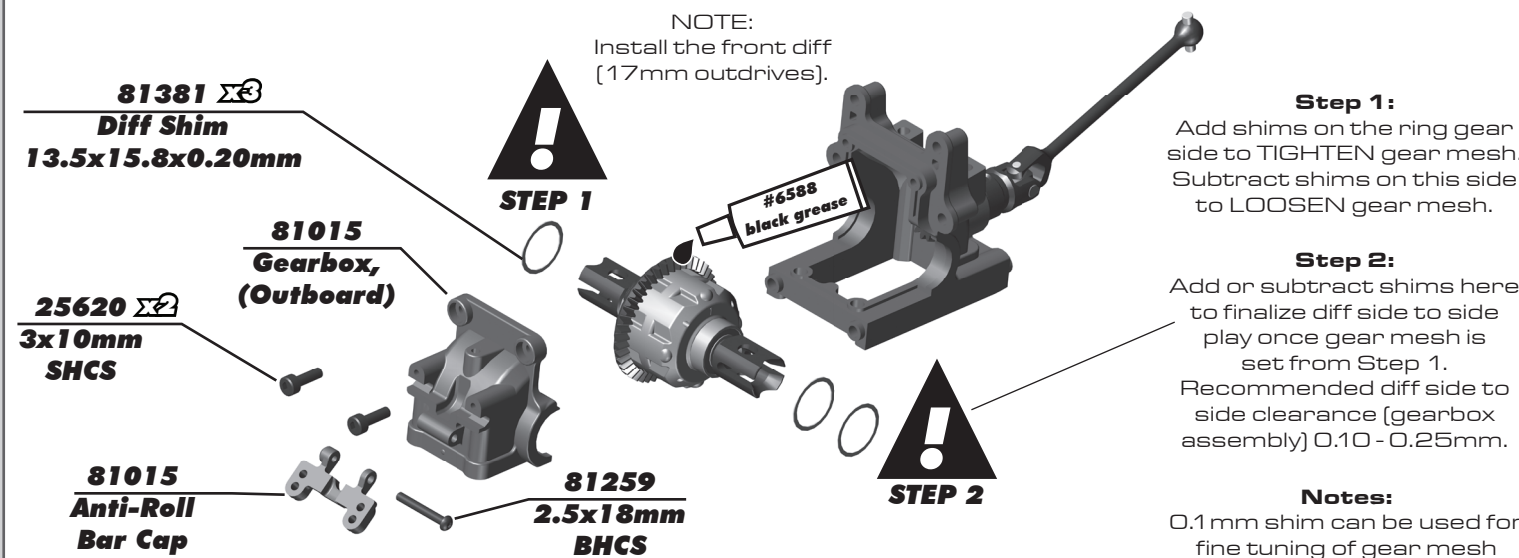
:: Steering / Chassis Build - Bag 4.1, 4.2 - Step 4



:: Front Gearbox Build - Bag 5.1, 5.2, 5.3 - Step 1




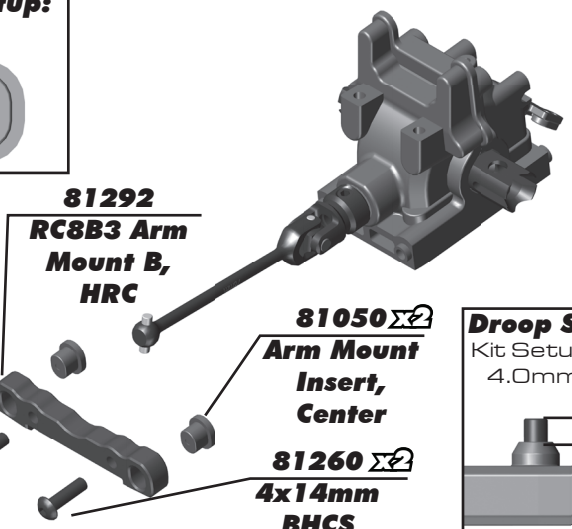
:: Front Gearbox Build - Bag 5.1, 5.2, 5.3 - Step 2



:: Front Gearbox Build - Bag 5.1, 5.2, 5.3 - Step 3

Kit Setup:



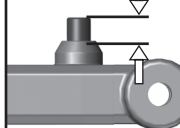


81292 RC8B3 Arm Mount B, HRC

81050 $\Sigma 2$ Arm Mount Insert, Center

81260 $\Sigma 2$ 4x14mm BHCS

Drop Screw:
Kit Setup:
4.0mm




81438 Front Arm, Lower

89317 Droop Screw


81438 Front Arm Insert, Lower

25201 $\Sigma 5$ 3x8mm FHCS

Build left and right side!




Take care not to overtighten insert screws.

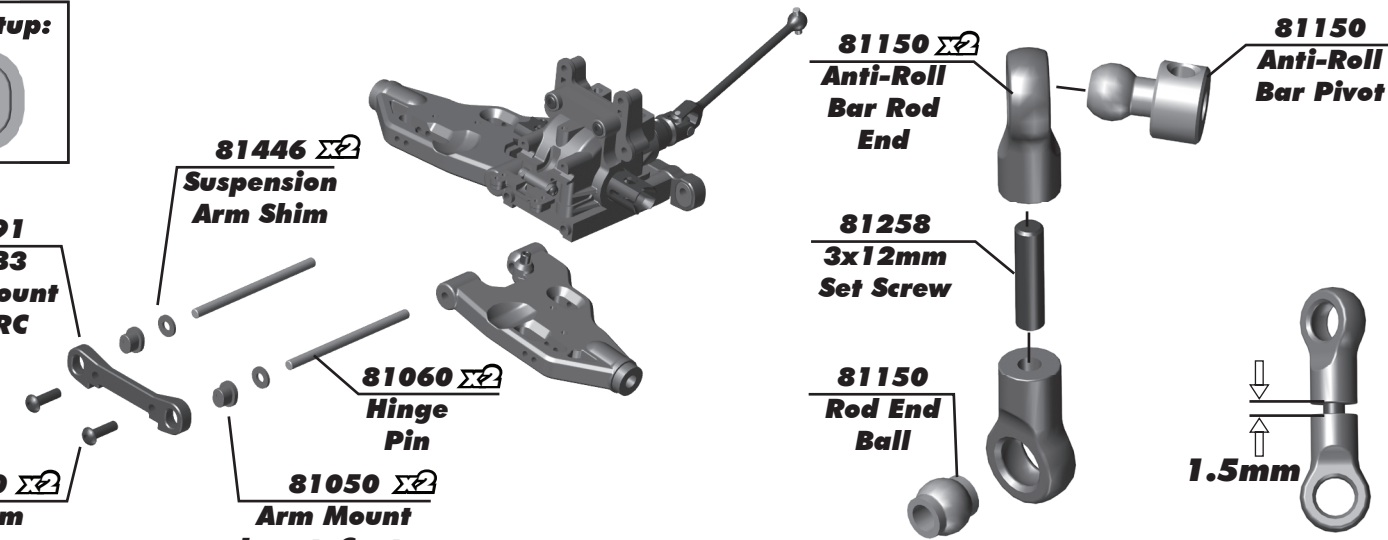


Note that each arm is marked with a R for the Right arm or an L for the Left arm.

:: Front Gearbox Build - Bag 5.1, 5.2, 5.3 - Step 4

Kit Setup:





81291 RC8B3 Arm Mount A, HRC

81260 $\Sigma 2$ 4x14mm BHCS

81446 $\Sigma 2$ Suspension Arm Shim

81060 $\Sigma 2$ Hinge Pin

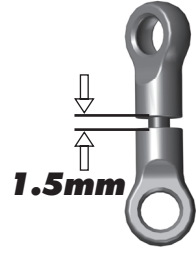
81050 $\Sigma 2$ Arm Mount Insert, Center

81150 $\Sigma 2$ Anti-Roll Bar Rod End

81258 3x12mm Set Screw


81150 Rod End Ball


81150 Anti-Roll Bar Pivot



1.5mm

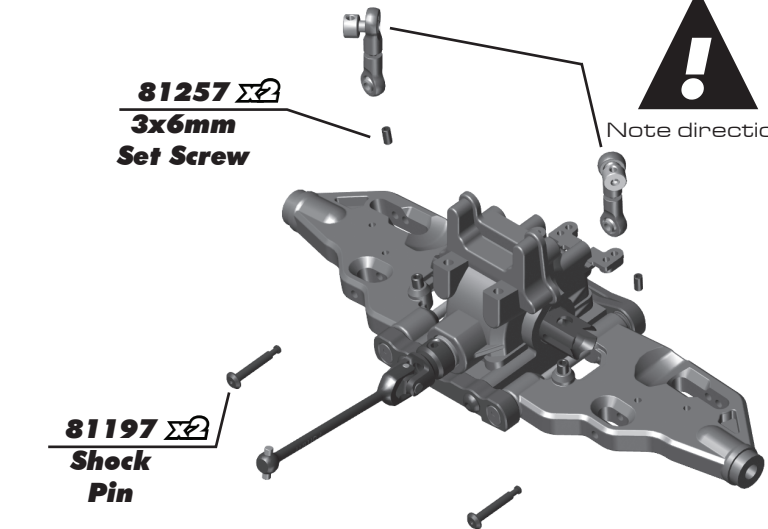
:: Front Gearbox Build - Bag 5.1, 5.2, 5.3 - Step 5





Left Side Right Side


Anti-Roll Bar Pivots:
Offset the anti-roll bar rod ends (approximately 45 degrees).



81257 $\Sigma 2$ 3x6mm Set Screw

81197 $\Sigma 2$ Shock Pin

Note direction



:: Front Gearbox Build - Bag 5.1, 5.2, 5.3 - Step 6

!

Center the anti-roll bar collet on the anti-roll bar, then tighten the 3x3mm set screw.

!

Front anti-roll bar gap: 2.0mm

81130
(Front) Anti-Roll Bar, 2.3mm

81150
Anti-Roll Bar Collet

25225
3x3mm Set Screw

#1596 thread lock

(not included)

:: Front Gearbox Build - Bag 5.1, 5.2, 5.3 - Step 7

!

Tighten 3x6mm set screws just enough to still allow the anti-roll bar to move freely.

25225 $\Sigma 2$
3x3mm Set Screw

31521 $\Sigma 2$
2.5x8mm BHCS

81257 $\Sigma 2$
3x6mm Set Screw

89214 $\Sigma 2$
4x12mm FHCS

89216
M4 Locknut

25201
3x8mm FHCS

81032
Chassis Brace, Front

81030
Top Plate

#1596 thread lock

(not included)

:: Front Gearbox Build - Bag 5.1, 5.2, 5.3 - Step 8

Kit Setup:

25201 $\Sigma 2$
3x8mm FHCS

89214 $\Sigma 2$
4x12mm FHCS

89225 $\Sigma 2$
3x24mm SHCS

81050 $\Sigma 2$
Arm Mount Insert, Center

81049
Upper Link Mount

81196 $\Sigma 2$
Shock Bushing

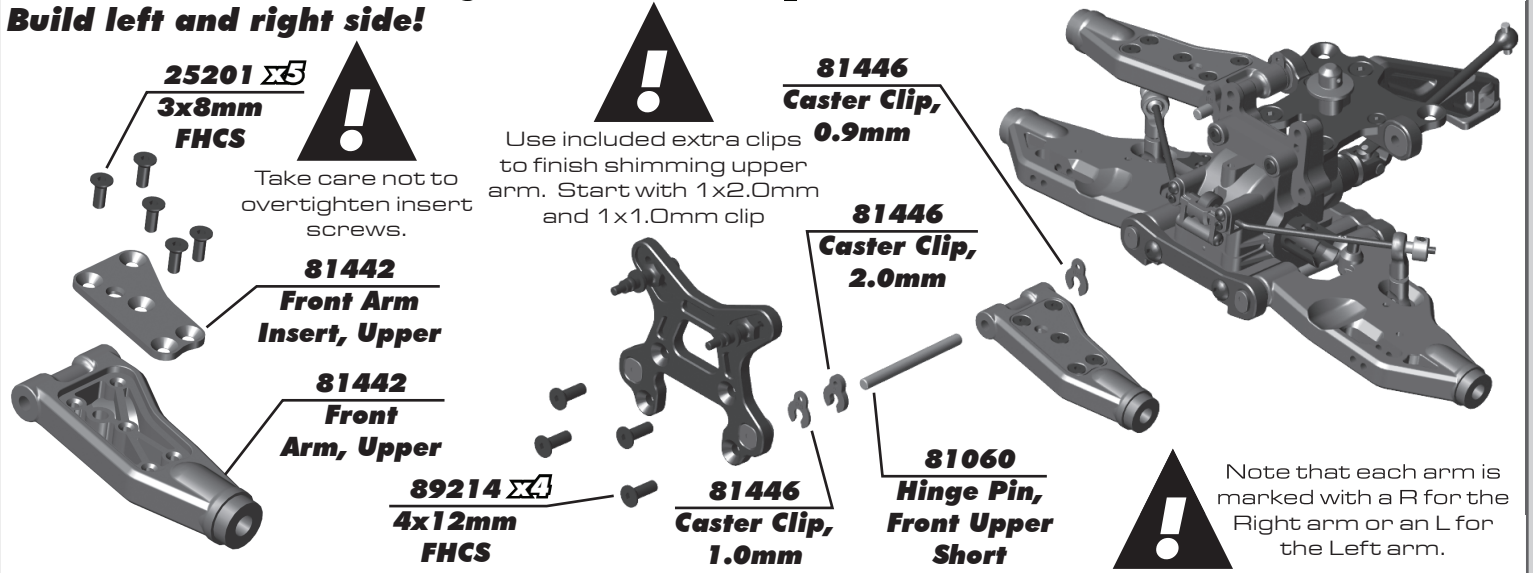
81026
Shock Tower, Front

#1596 thread lock

(not included)

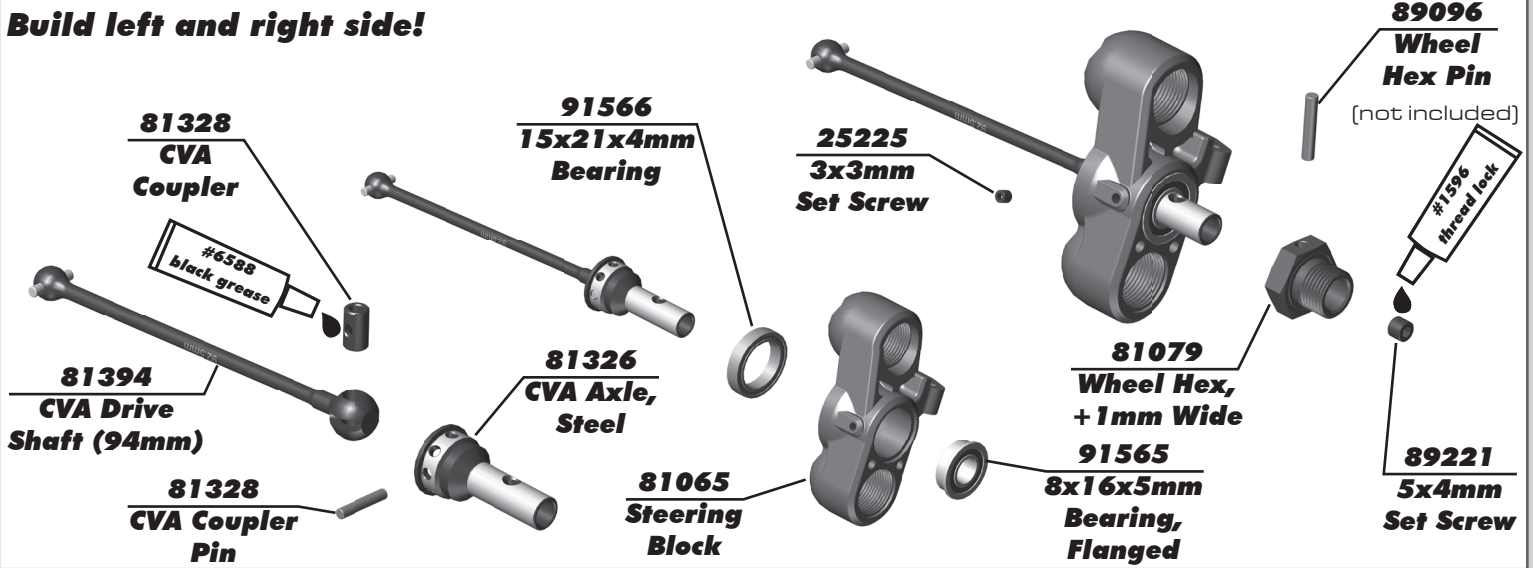
:: Front Gearbox Build - Bag 5.1, 5.2, 5.3 - Step 9

Build left and right side!



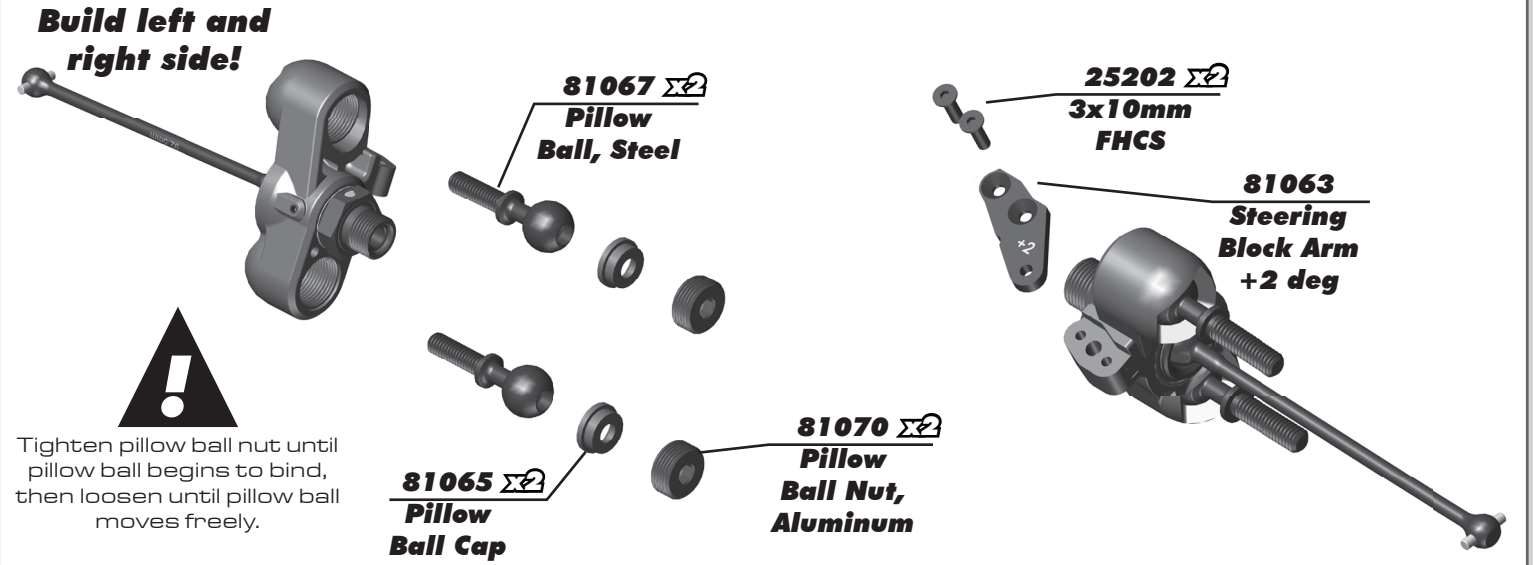
:: Steering Blocks Build - Bag 6.1, 6.2 - Step 1

Build left and right side!



:: Steering Blocks Build - Bag 6.1, 6.2 - Step 2

Build left and right side!



:: Steering Blocks Build - Bag 6.1, 6.2 - Step 3

81056 $\times 2$
Suspension Arm Endcap

81072
Pillow Ball Shim (0.7mm)

81072
Pillow Ball Shim (0.35mm)

25211 $\times 2$
3x10mm BHCS

Pillow Ball Shims
0.35mm 0.7mm 1.4mm

:: Steering Blocks Build - Bag 6.1, 6.2 - Step 4

81262 $\times 2$
4x10mm FHCS

89216
M4 Locknut

89214
4x12mm FHCS

25211 $\times 2$
3x10mm BHCS

#1596 thread lock
(not included)

81447
Front Bumper

81264 $\times 2$
4x20mm FHCS

89214 $\times 2$
4x12mm FHCS

Kit Setup:
1 2 3

For attaching steering link to steering rack

Install center universal underneath steering rack

:: Steering Blocks Build - Bag 6.1, 6.2 - Step 5

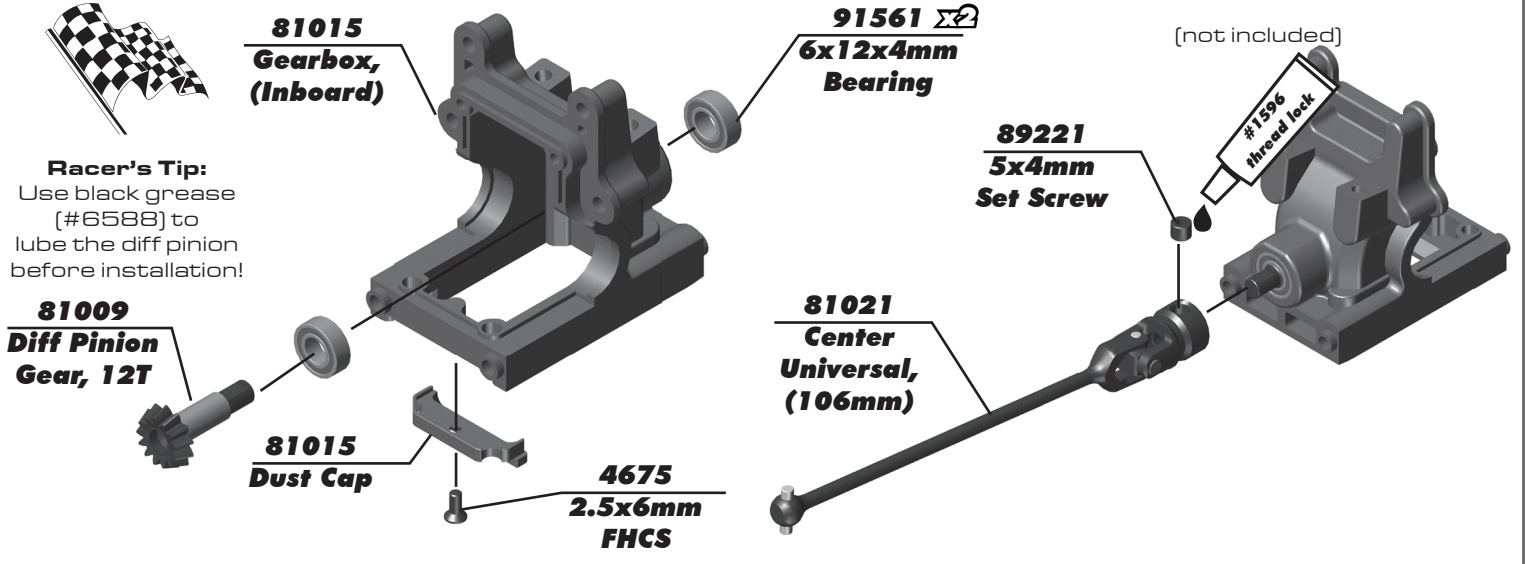
Kit Setup:
Mount the front shock in the outside hole on the front arm.

25612
M3 Locknut W/ Flange

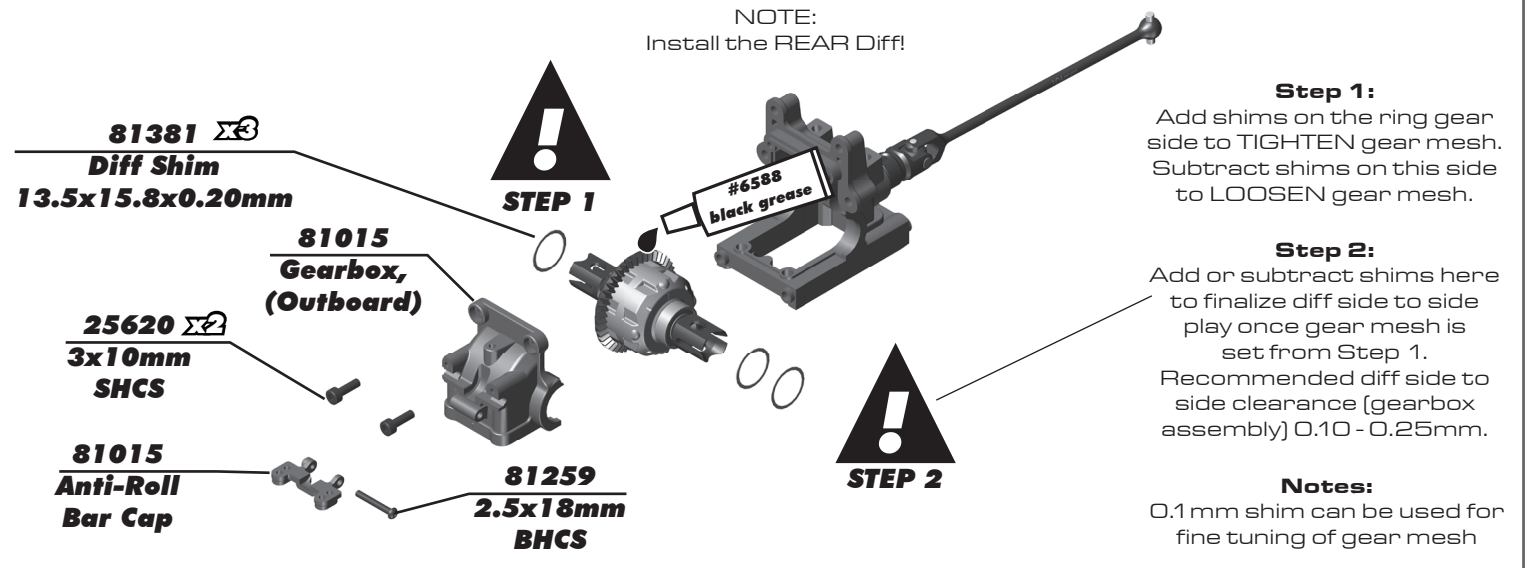
81197
Shock Pin

81257
3x6mm Set Screw

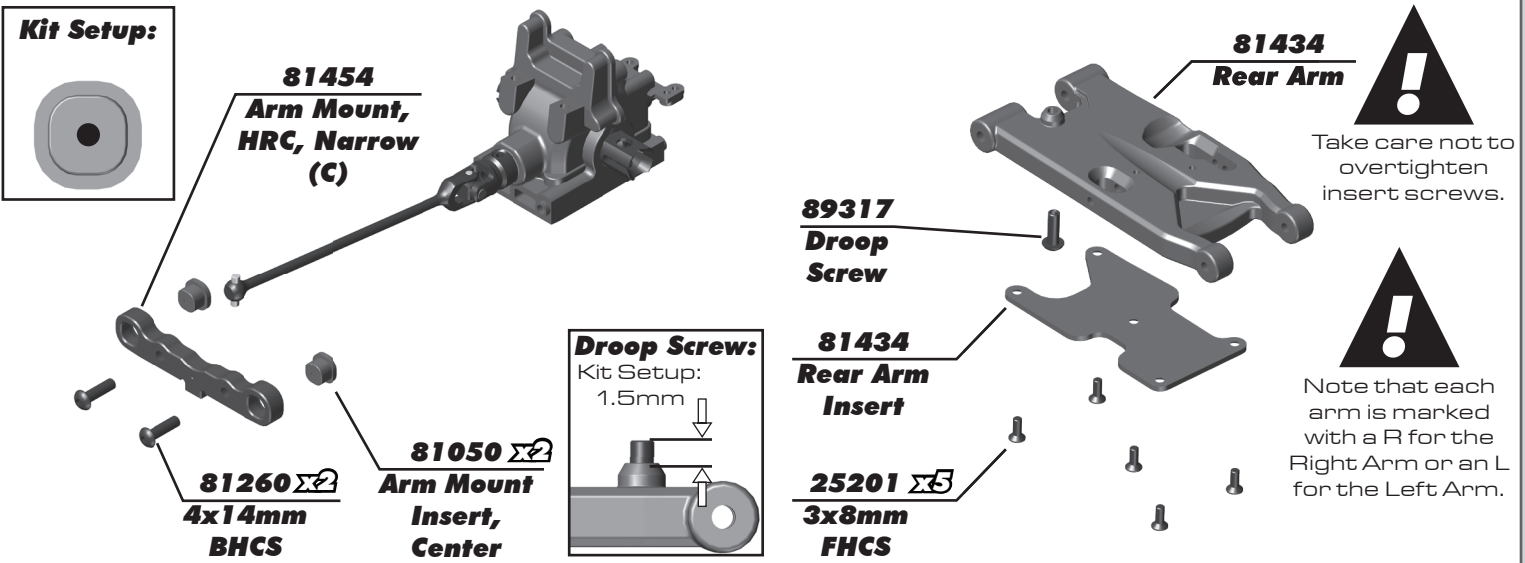
:: Rear End Build - Bag 7.1, 7.2, 7.3 - Step 1



:: Rear End Build - Bag 7.1, 7.2, 7.3 - Step 2



:: Rear End Build - Bag 7.1, 7.2, 7.3 - Step 3



:: Rear End Build - Bag 7.1, 7.2, 7.3 - Step 4

Kit Setup:

81060 $\Sigma 2$
Hinge Pin

81446
Suspension Arm Shim

81260 $\Sigma 2$
4x14mm BHCS

81455
Arm Mount, HRC, Narrow (D)

81050 $\Sigma 2$
Arm Mount Insert, Center

81150 $\Sigma 2$
Anti-Roll Bar Rod End

81258
3x12mm Set Screw

81150
Rod End Ball

81150
Anti-Roll Bar Pivot

0mm

:: Rear End Build - Bag 7.1, 7.2, 7.3 - Step 5

Center the anti-roll bar collet on the anti-roll bar; then tighten the 3x3mm set screw.

Left Side **Right Side**

Anti-Roll Bar Pivots:
Offset the anti-roll bar rod ends (approximately 45 degrees).

81257 $\Sigma 2$
3x6mm Set Screw

81197 $\Sigma 2$
Shock Pin

(not included)

#1596 thread lock

81140
(Rear) Anti-Roll Bar, 2.7mm

81150
Anti-Roll Bar Collet

25225
3x3mm Set Screw

:: Rear End Build - Bag 7.1, 7.2, 7.3 - Step 6

25225 $\Sigma 2$
3x3mm Set Screw

#1596 thread lock (not included)

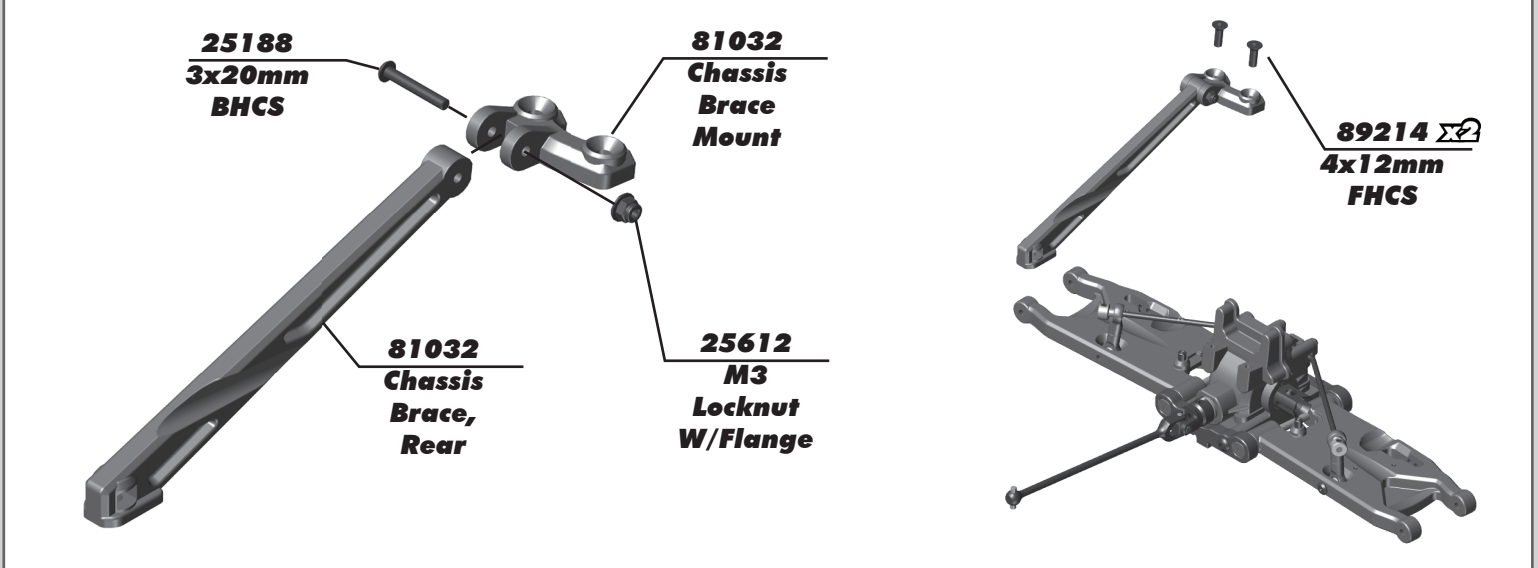
31521 $\Sigma 2$
2.5x8mm BHCS

Rear Anti-Roll Bar Gap: 0mm

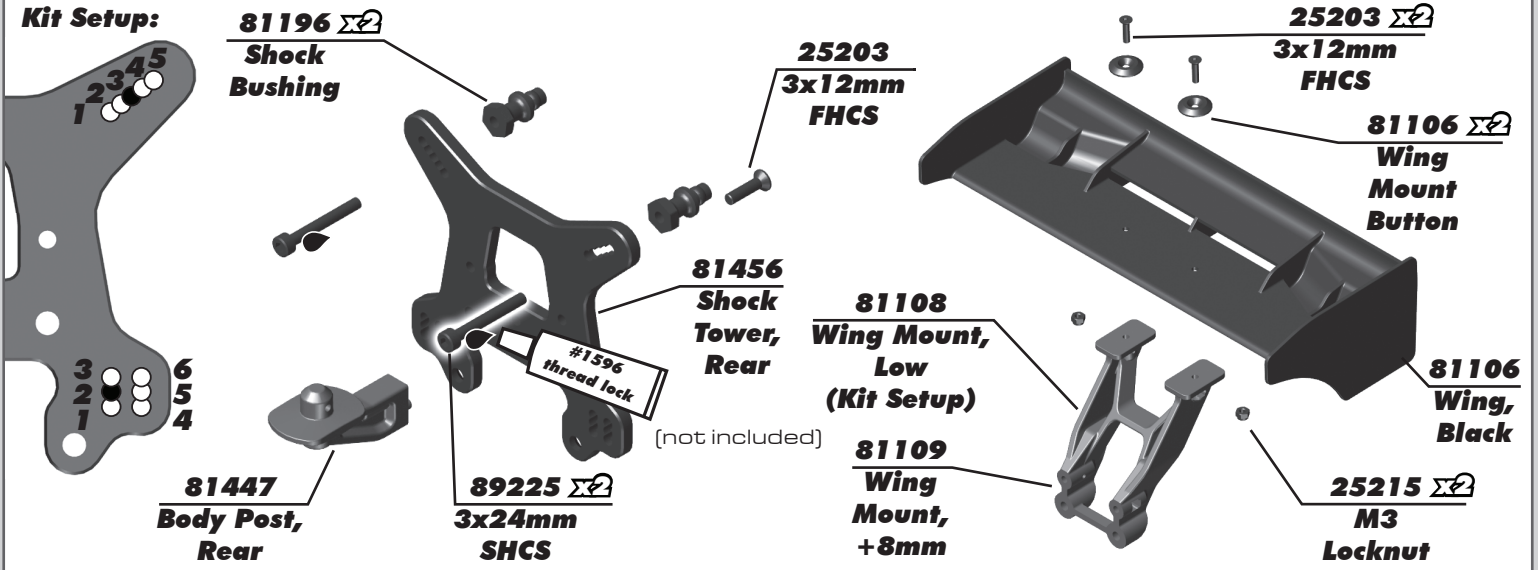
81257 $\Sigma 2$
3x6mm Set Screw

Tighten 3x6mm set screws just enough to still allow the anti-roll bar to move freely.

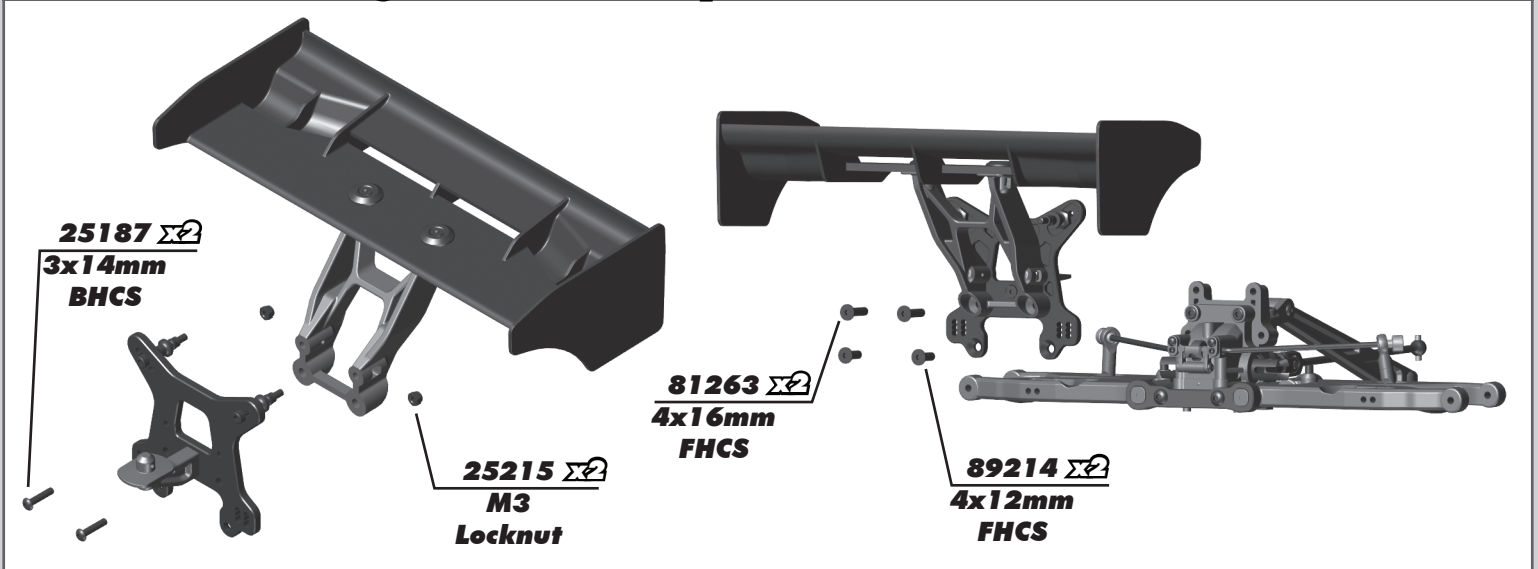
:: Rear End Build - Bag 7.1, 7.2, 7.3 - Step 7



:: Rear End Build - Bag 7.1, 7.2, 7.3 - Step 8

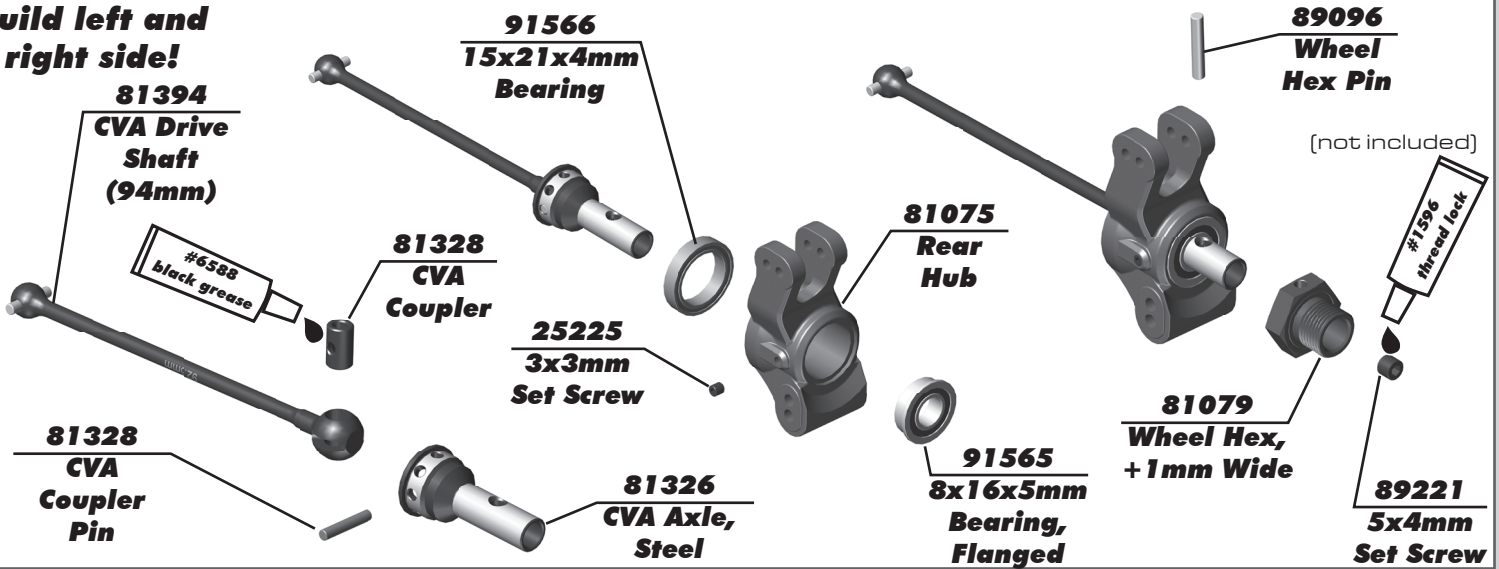


:: Rear End Build - Bag 7.1, 7.2, 7.3 - Step 9



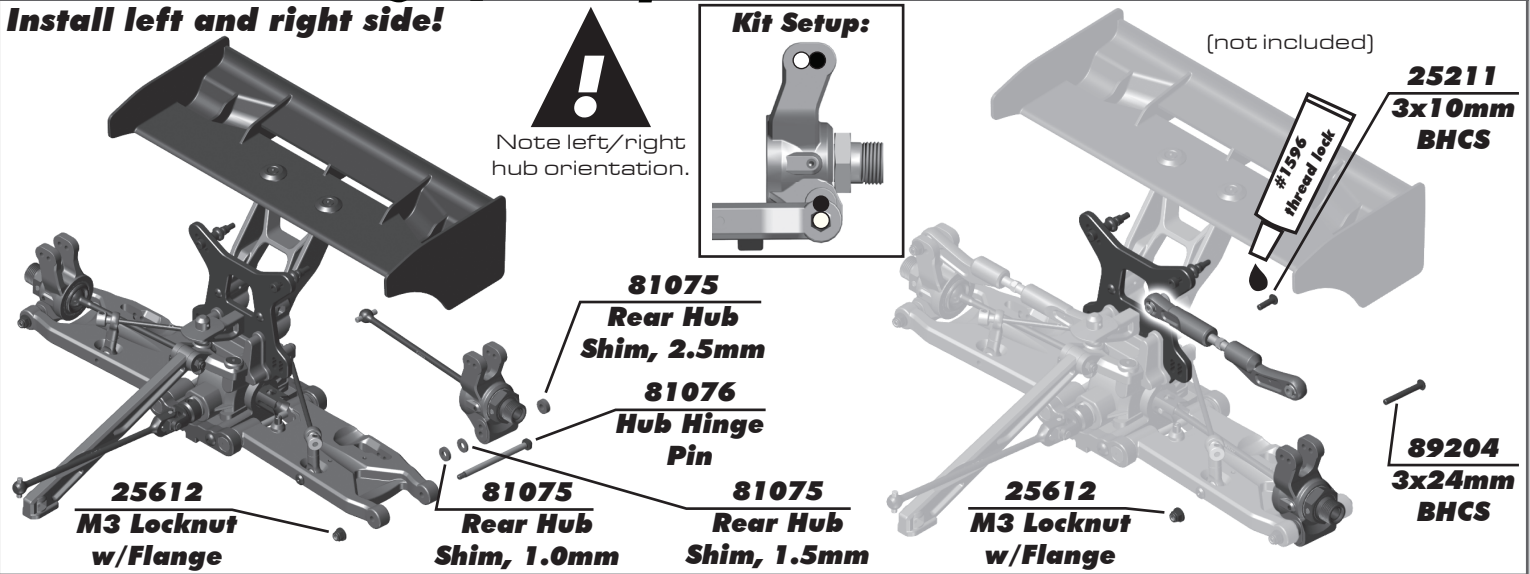
:: Rear Hubs Build - Bag 8.1, 8.2 - Step 1

Build left and right side!



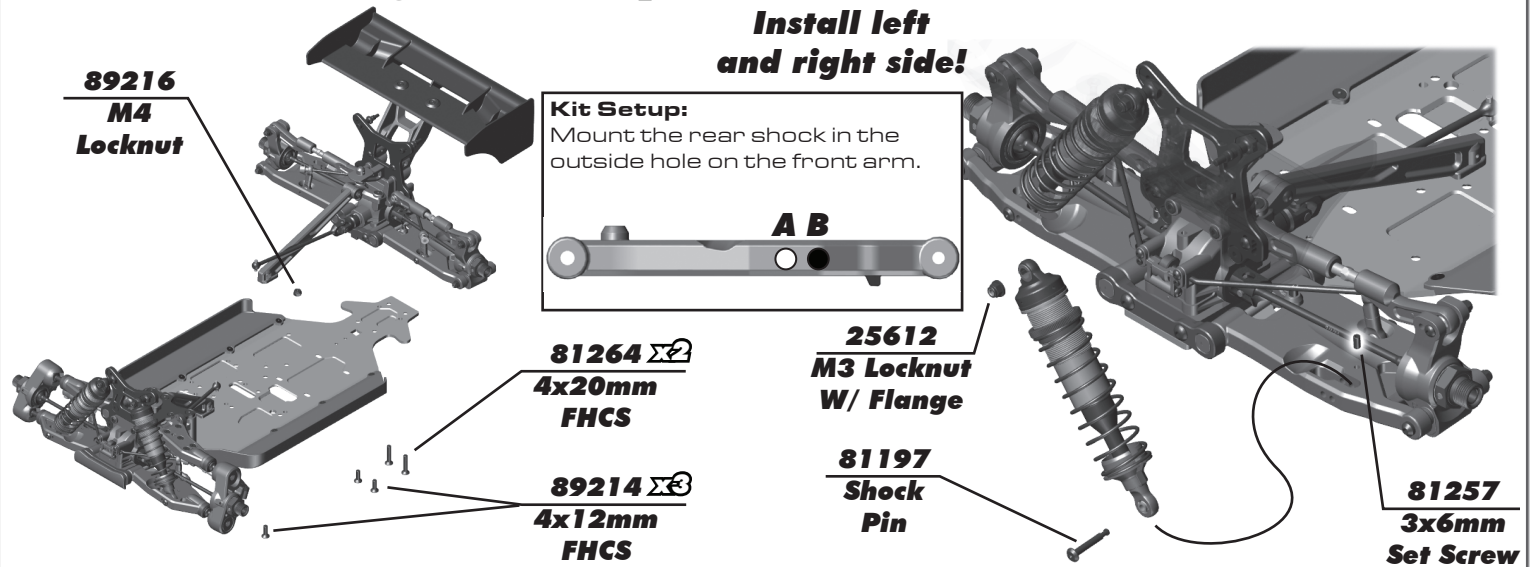
:: Rear Hubs Build - Bag 8.1, 8.2 - Step 2

Install left and right side!

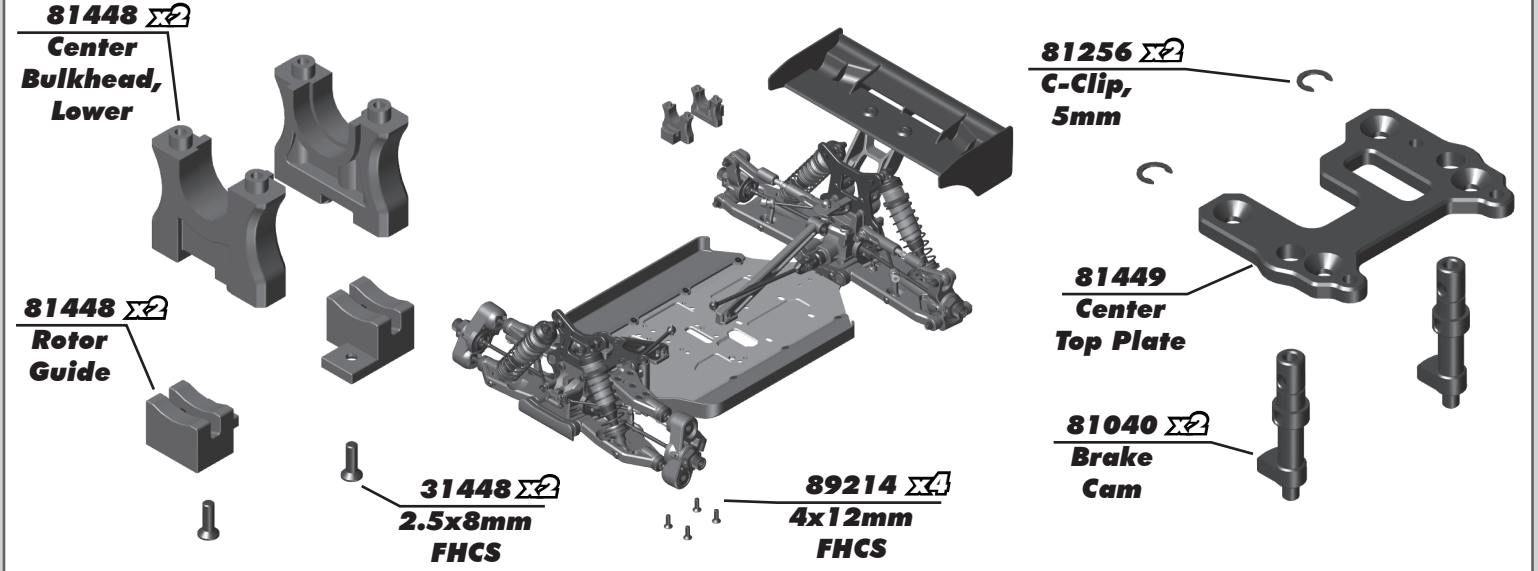


:: Rear Hubs Build - Bag 8.1, 8.2 - Step 3

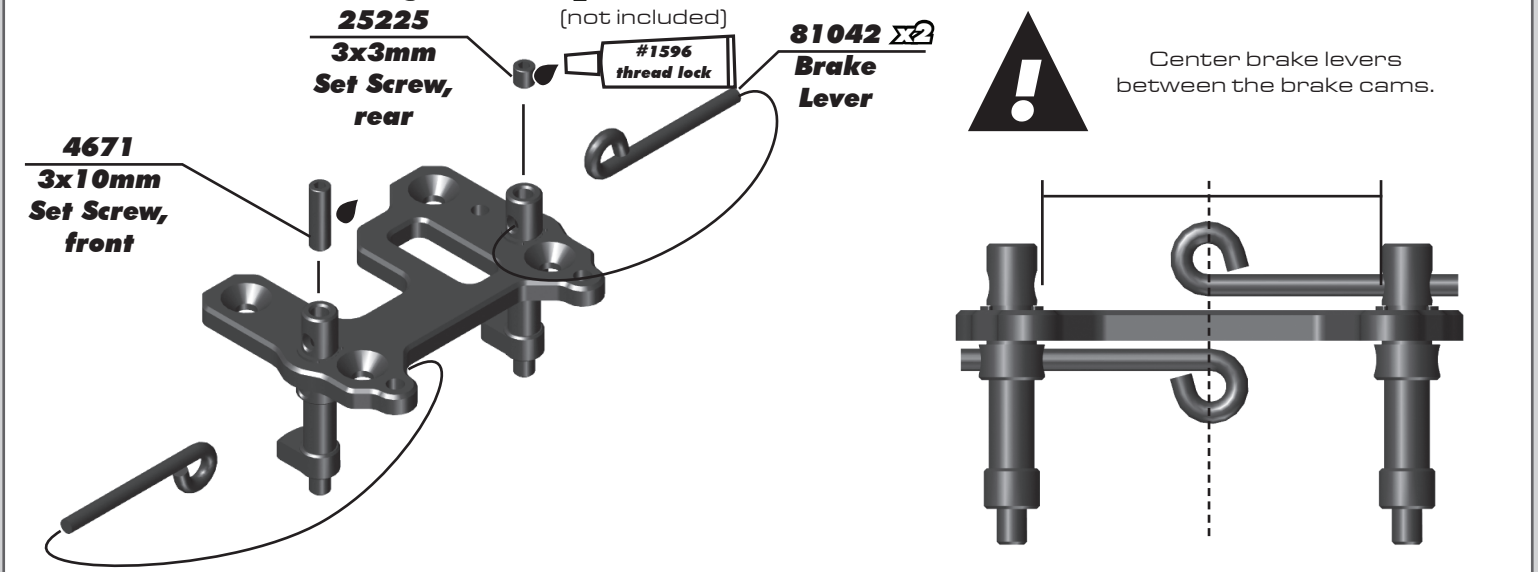
Install left and right side!



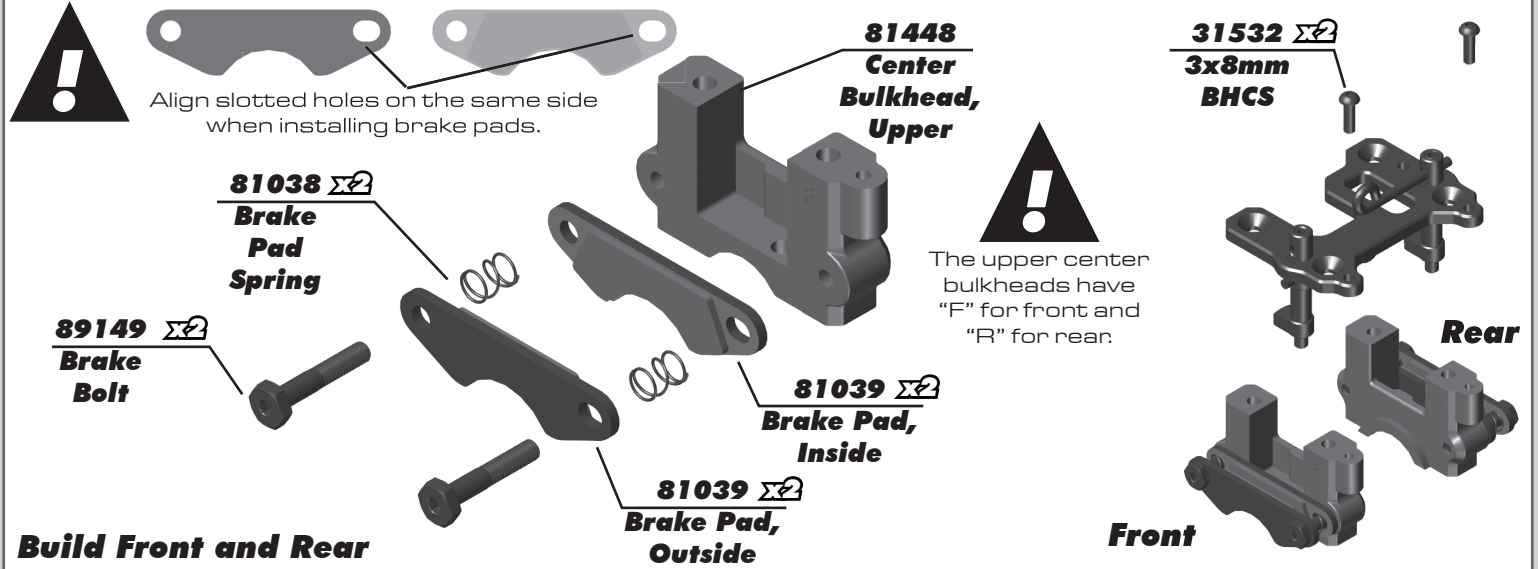
:: Center Bulkhead - Bag 9.1 - Step 1



:: Center Bulkhead - Bag 9.1 - Step 2

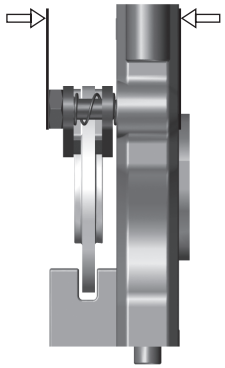


:: Center Bulkhead - Bag 9.1 - Step 3



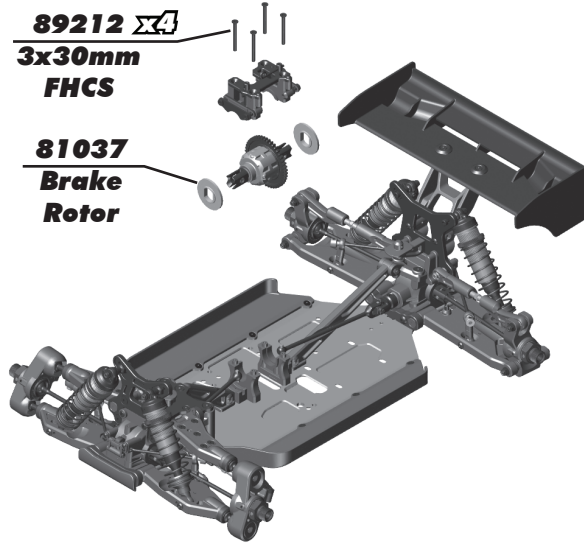
:: Center Bulkhead - Bag 9.1 - Step 4

18.40mm (0.72")



89212 Σ 4
3x30mm
FHCS

81037
Brake
Rotor



Note direction of center diff.

:: Linkages Build - Bag 10.1 - Step 1

7184
2x16mm
SHCS

81251 Σ 3
Servo
Horn Pivot

81251
Pivot
Bushing,
Brake

81250
Servo Horn,
Throttle

81250
Servo Horn,
Ring

81250
Cone
Washer

81251
2x10mm
SHCS

81251 Σ 3
Washer

81251
Pivot
Bushing,
Throttle

81250
Servo Horn
Insert

(not included)
#1596
thread lock

81251
Throttle
Link

81251
Throttle
Spring

81251
Set Collar

81251
Throttle
Ball Cup

81251 Σ 2
Brake
Link

81251 Σ 3
Brake Bias
Collar

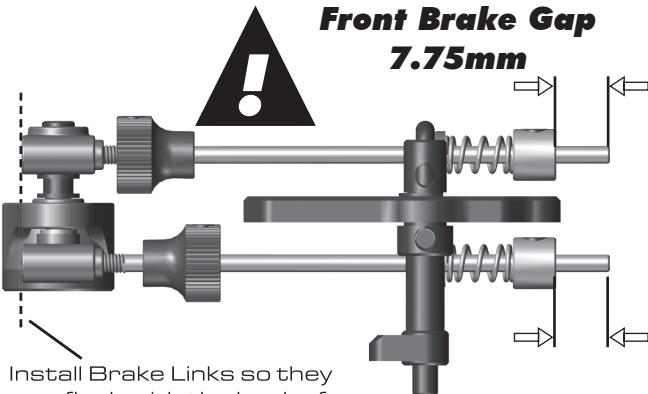
25225 Σ 4
3x3mm
Set Screw

Printed here
A - Airtronics
F - Futaba
H - Hitec
J - JR/KO

:: Linkages Build - Bag 10.1 - Step 2

Recommended Starting Positions:

**Front Brake Gap
7.75mm**



Install Brake Links so they are flush with the back of the servo horn pivots.

**Rear Brake Gap
4.5mm**

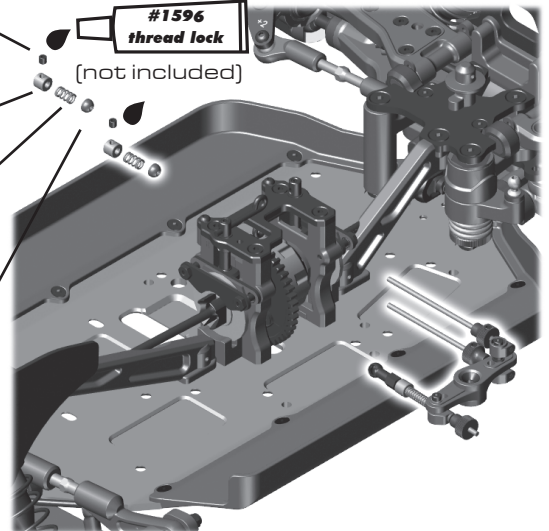
25225 Σ 2
3x3mm
Set Screw

81251 Σ 2
Set Collar

81251 Σ 2
Brake
Spring

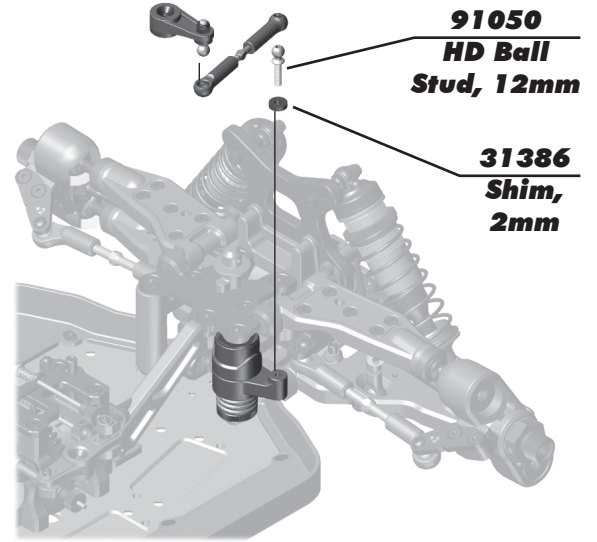
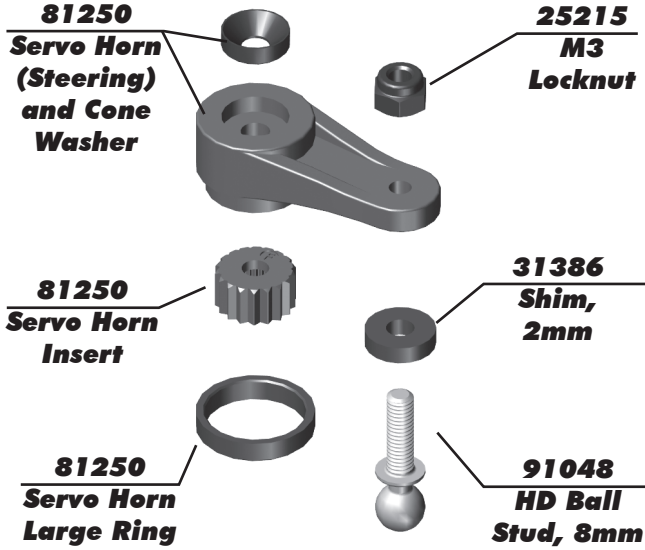
81251 Σ 2
Brake Linkage
Spring Ball

#1596
thread lock
(not included)



:: Linkages Build - Bag 10.1 - Step 3

Printed here
A - Airtronics
F - Futaba
H - Hitec
J - JR/KO



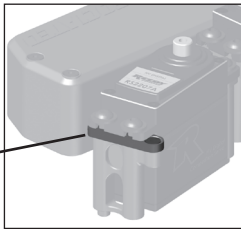
:: Radio Tray Build - Bag 11.1 - Step 1

Radio Tray Configuration:

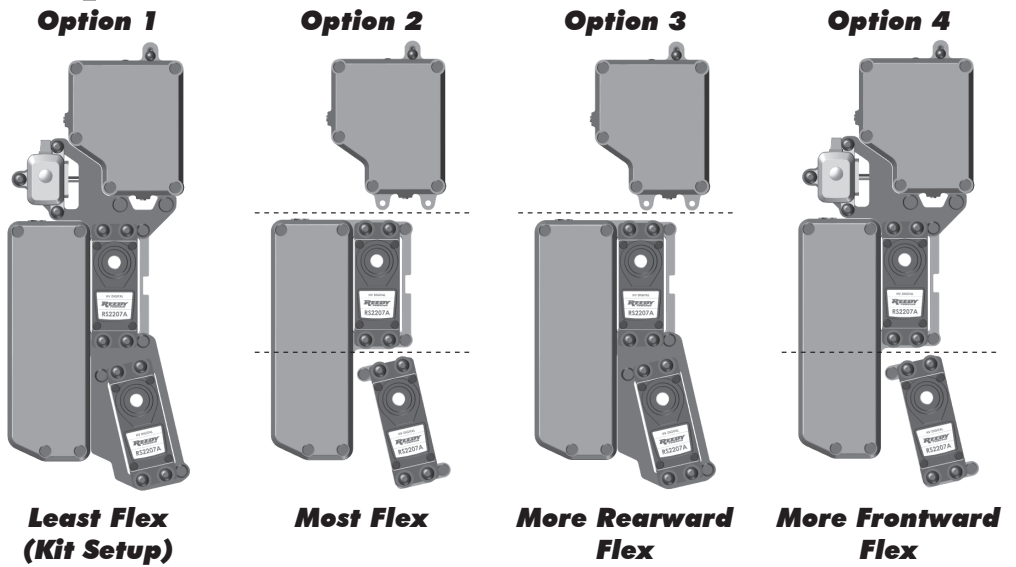
The radio tray on RC8B3.2 can be configured in four different ways. Each configuration changes the amount and location of flex in the chassis.

Experiment with different configurations when running on different surfaces.

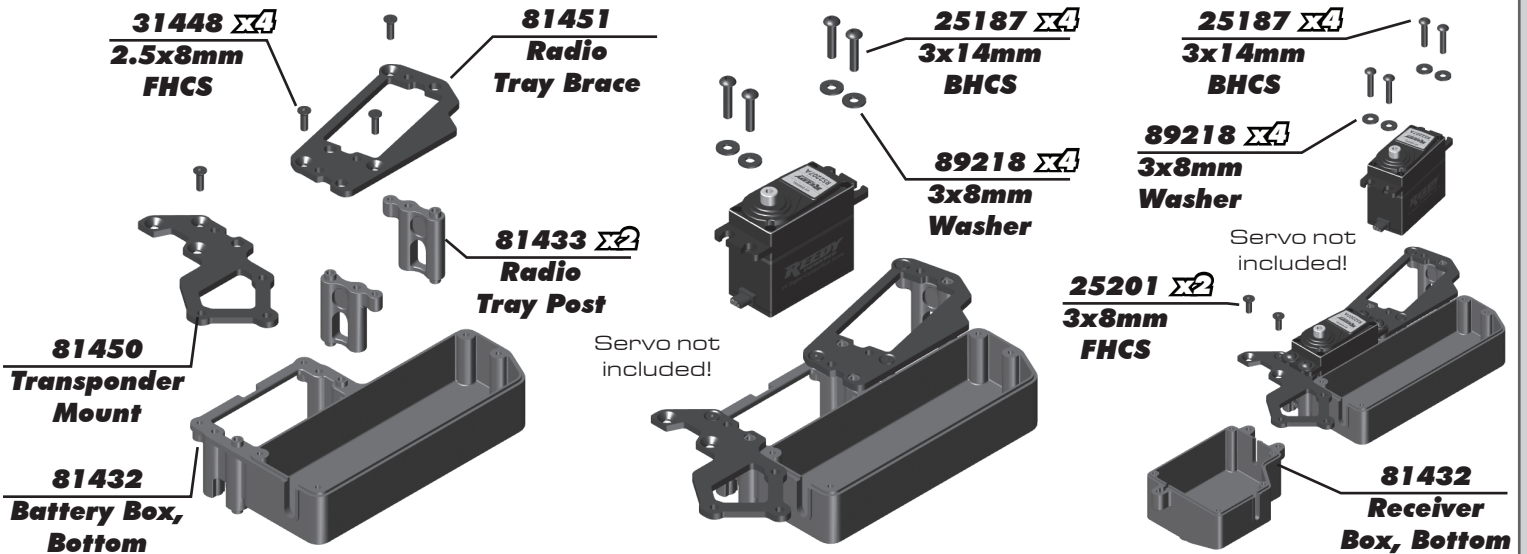
When removing either graphite radio tray brace or transponder mount, utilize included plastic shims to maintain proper servo height.



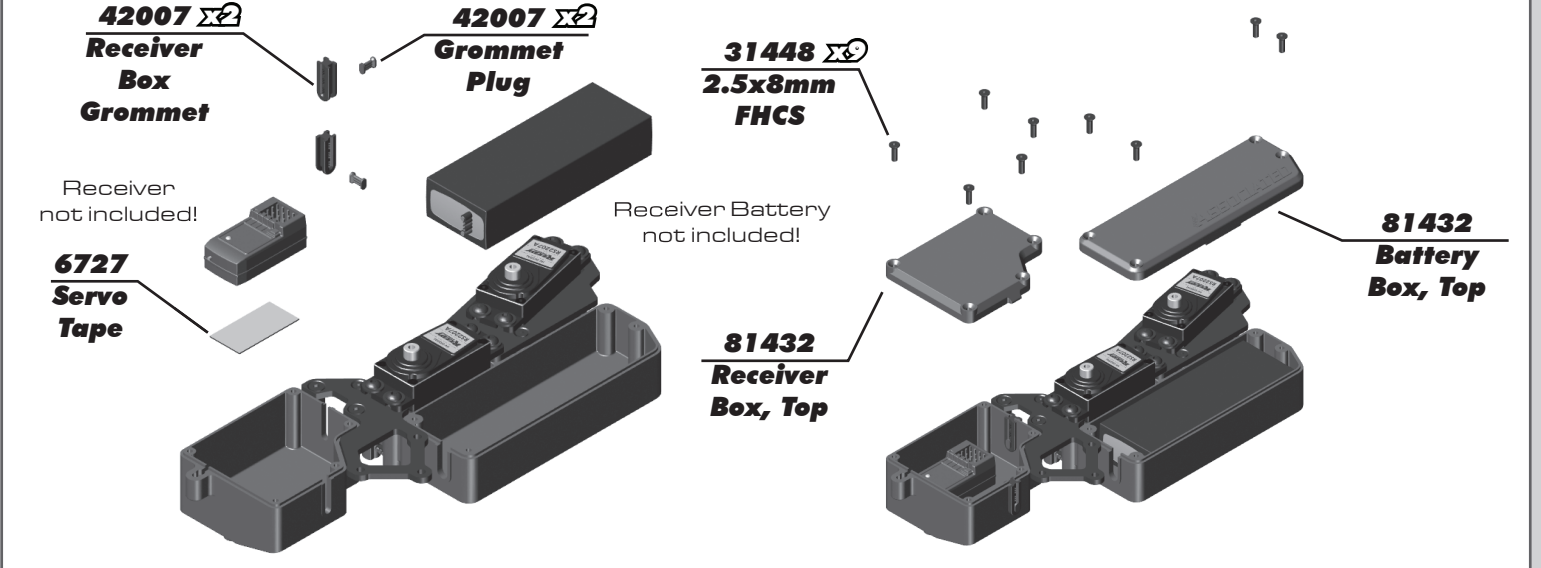
81433
Radio Tray
Spacer



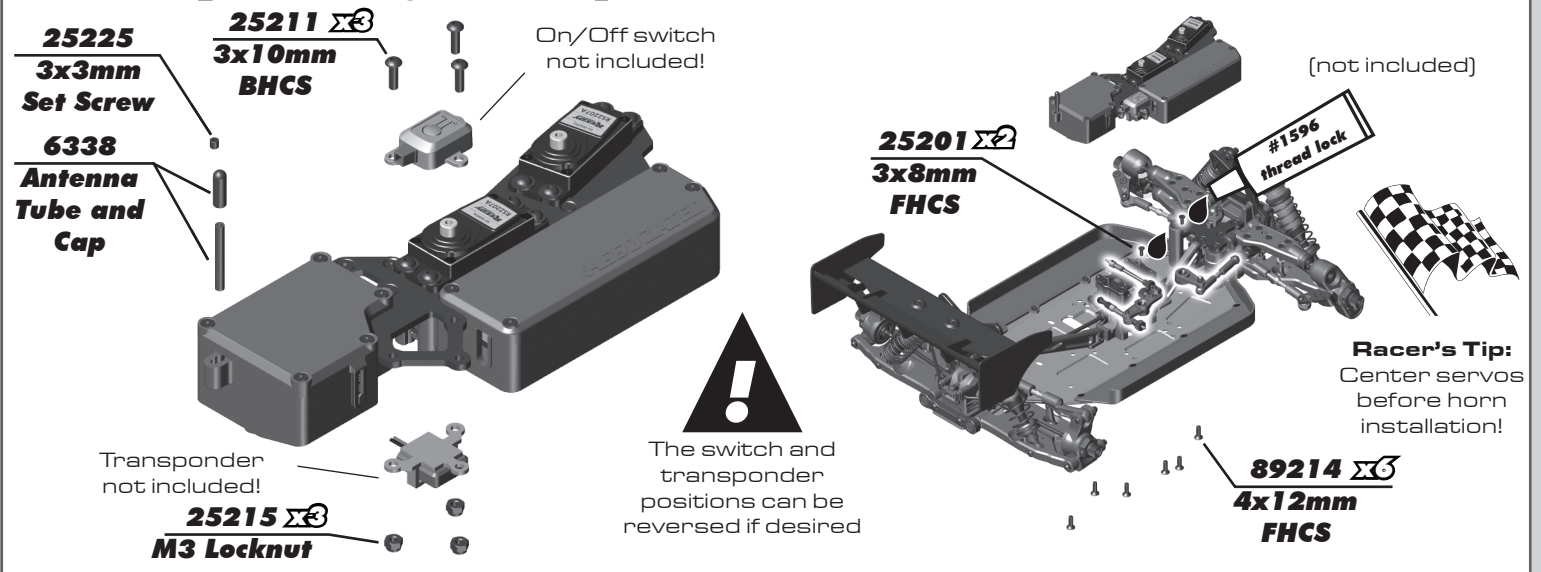
:: Radio Tray Build - Bag 11.1 - Step 2



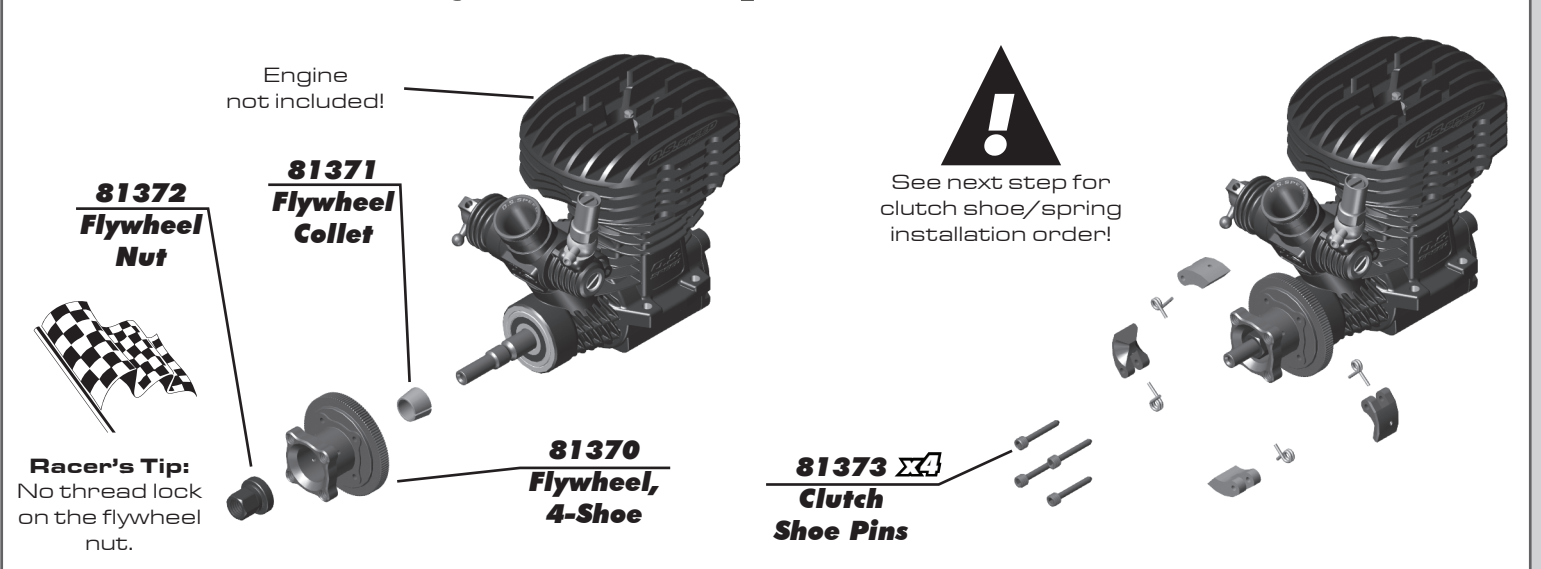
:: Radio Tray Build - Bag 11.1 - Step 3



:: Radio Tray Build - Bag 11.1 - Step 4



:: Clutch / Filter Build - Bag 12.1, 12.2 - Step 1

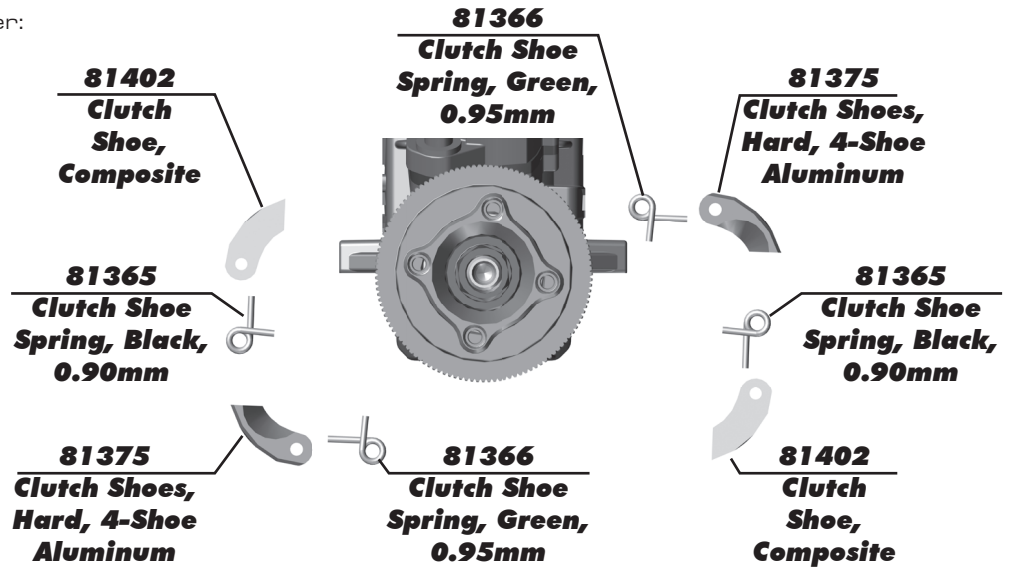


:: Clutch / Filter Build - Bag 12.1, 12.2 - Step 2

Clutch Shoe / Spring Installation Order:



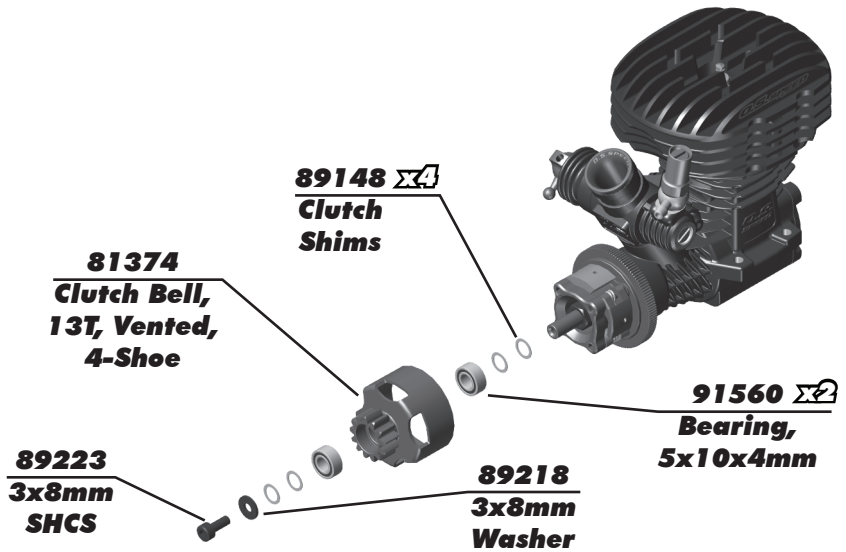
Short end of clutch shoe spring installed into flywheel.
Long end of clutch shoe spring installed into clutch shoe.



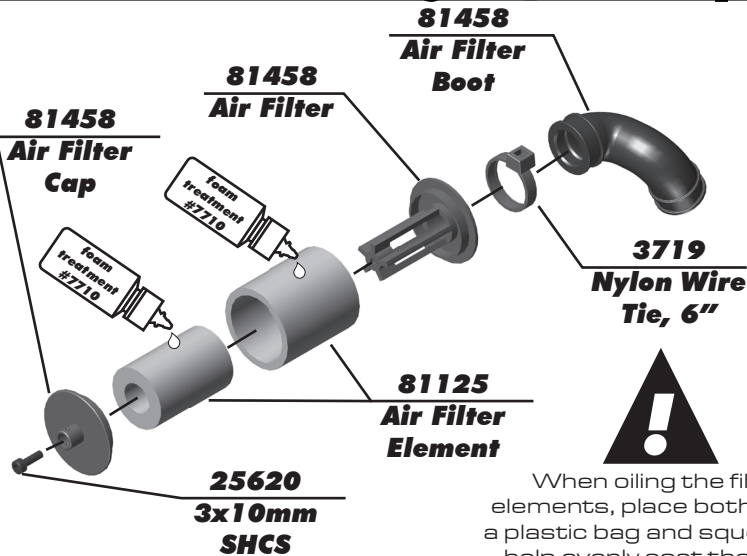
:: Clutch / Filter Build - Bag 12.1, 12.2 - Step 3

Clutch shimming instructions:

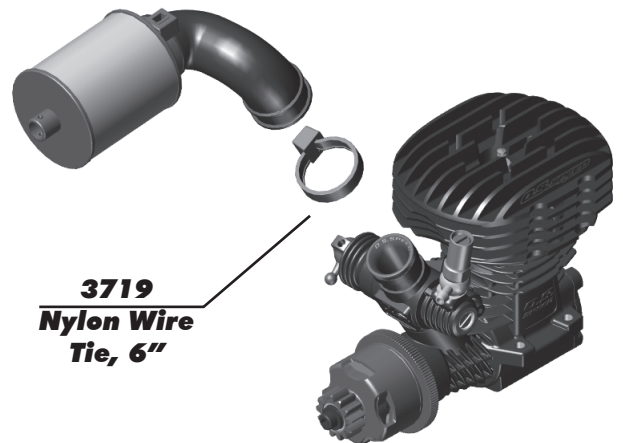
- Build assembly with shims as shown
- If clutchbell does not spin freely:
 - A) Move shim from behind clutch bell to in front of clutch bell
 - B) Remove one shim from front of clutch bell
- Recommended axial play in clutch bell = 0.2mm - 0.5mm



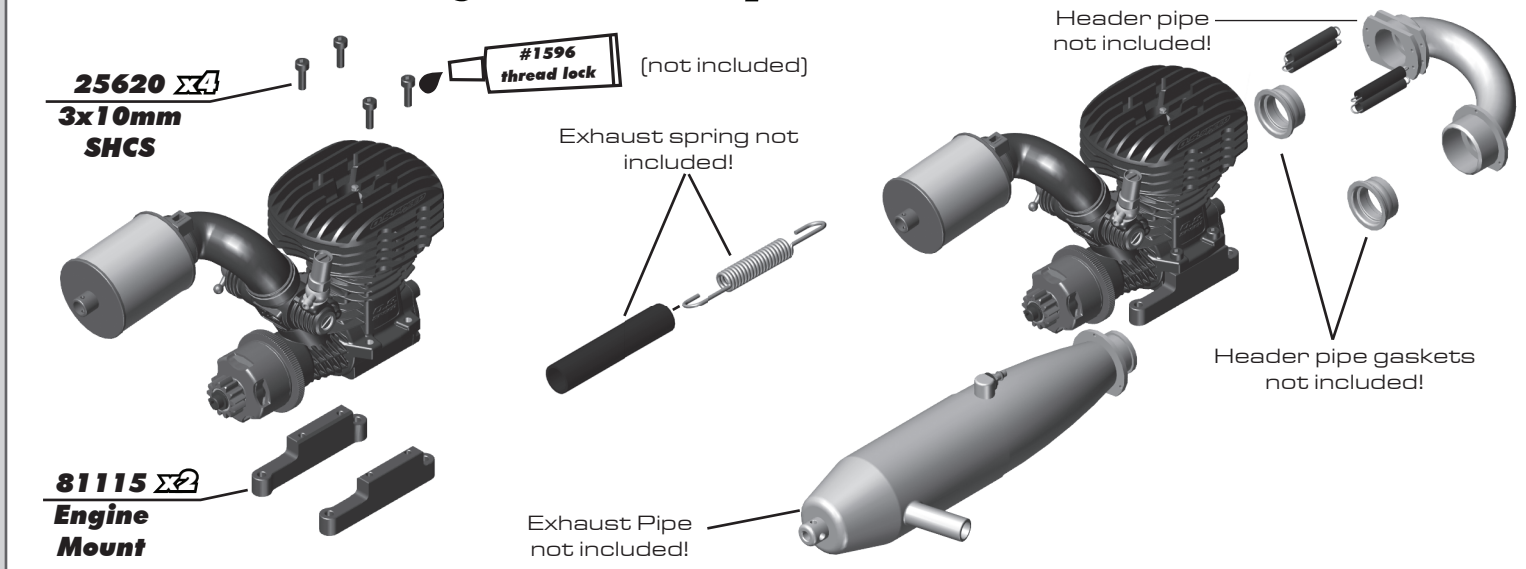
:: Clutch / Filter Build - Bag 12.1, 12.2 - Step 4



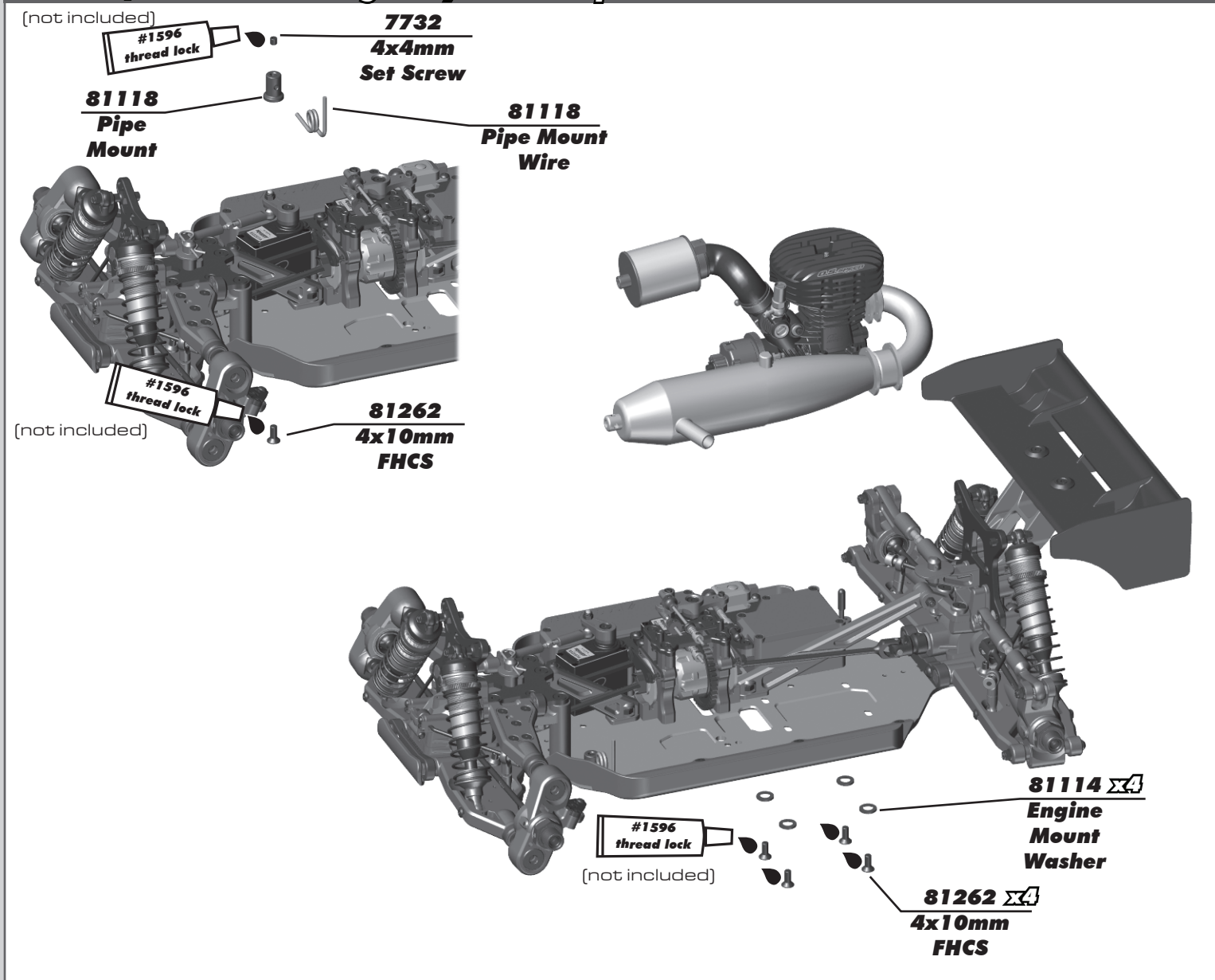
When oiling the filter elements, place both inside a plastic bag and squeeze to help evenly coat the filter.



:: Clutch / Filter Build - Bag 12.1, 12.2 - Step 5



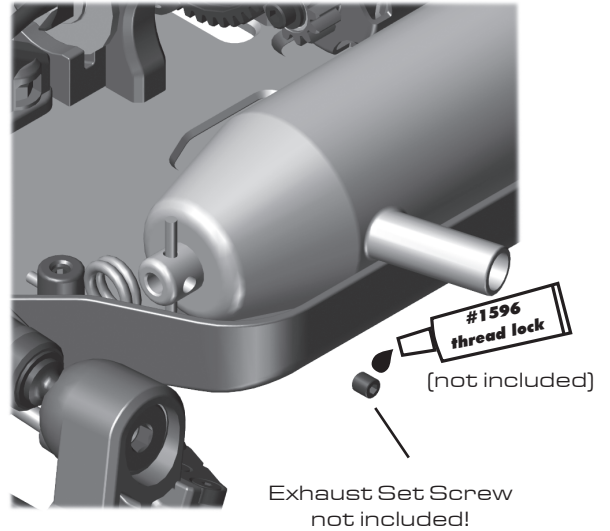
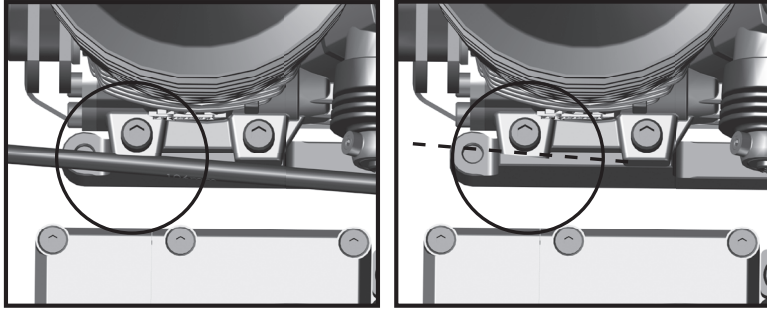
:: Clutch / Filter Build - Bag 12.1, 12.2 - Step 6



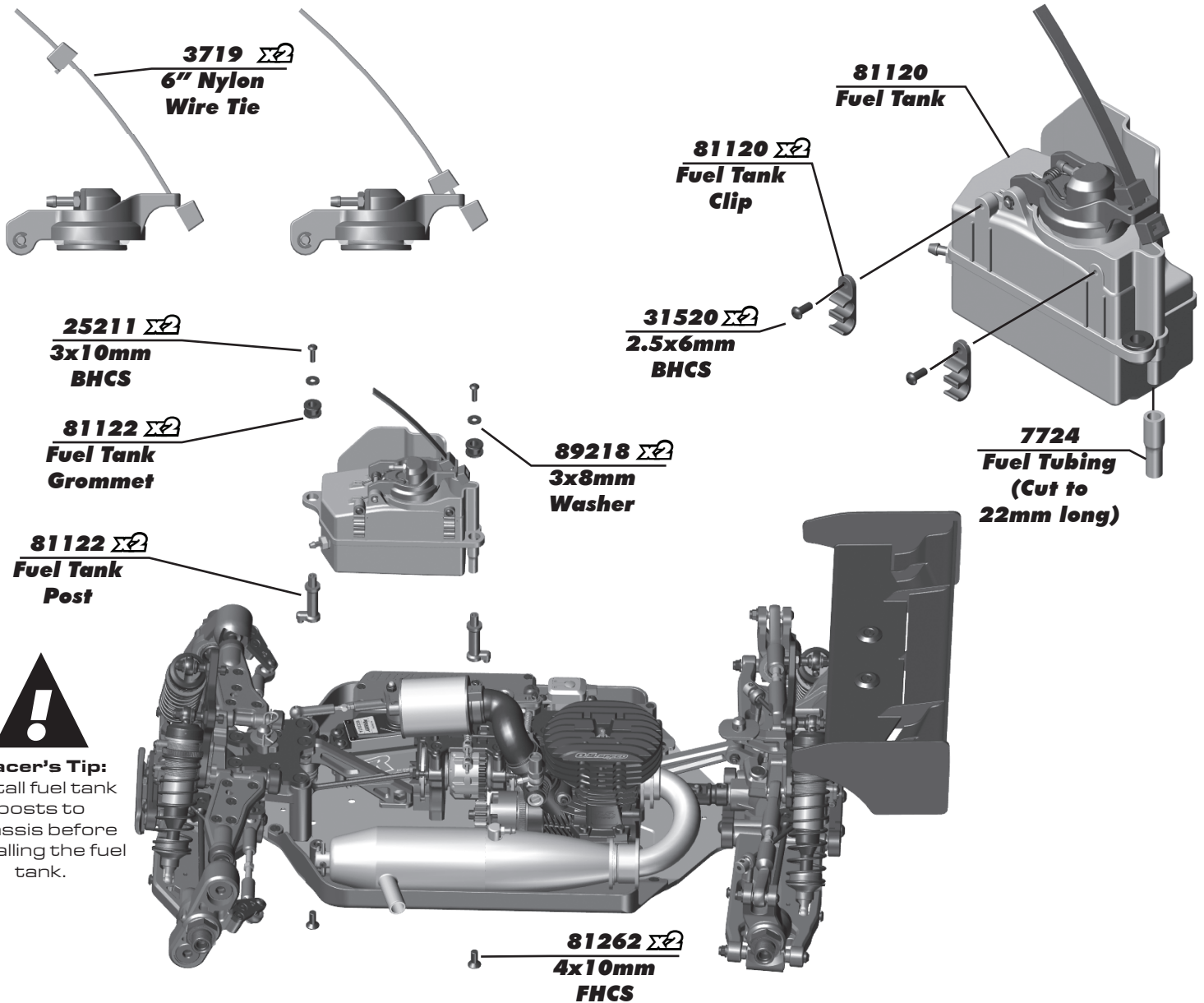
:: Clutch / Filter Build - Bag 12.1, 12.2 - Step 7



When installing your engine, make sure the rear drive shaft does not interfere with the engine block. You may need to remove material from the engine block for fitment.



:: Fuel Tank Build - Bag 13.1, 13.2 - Step 1

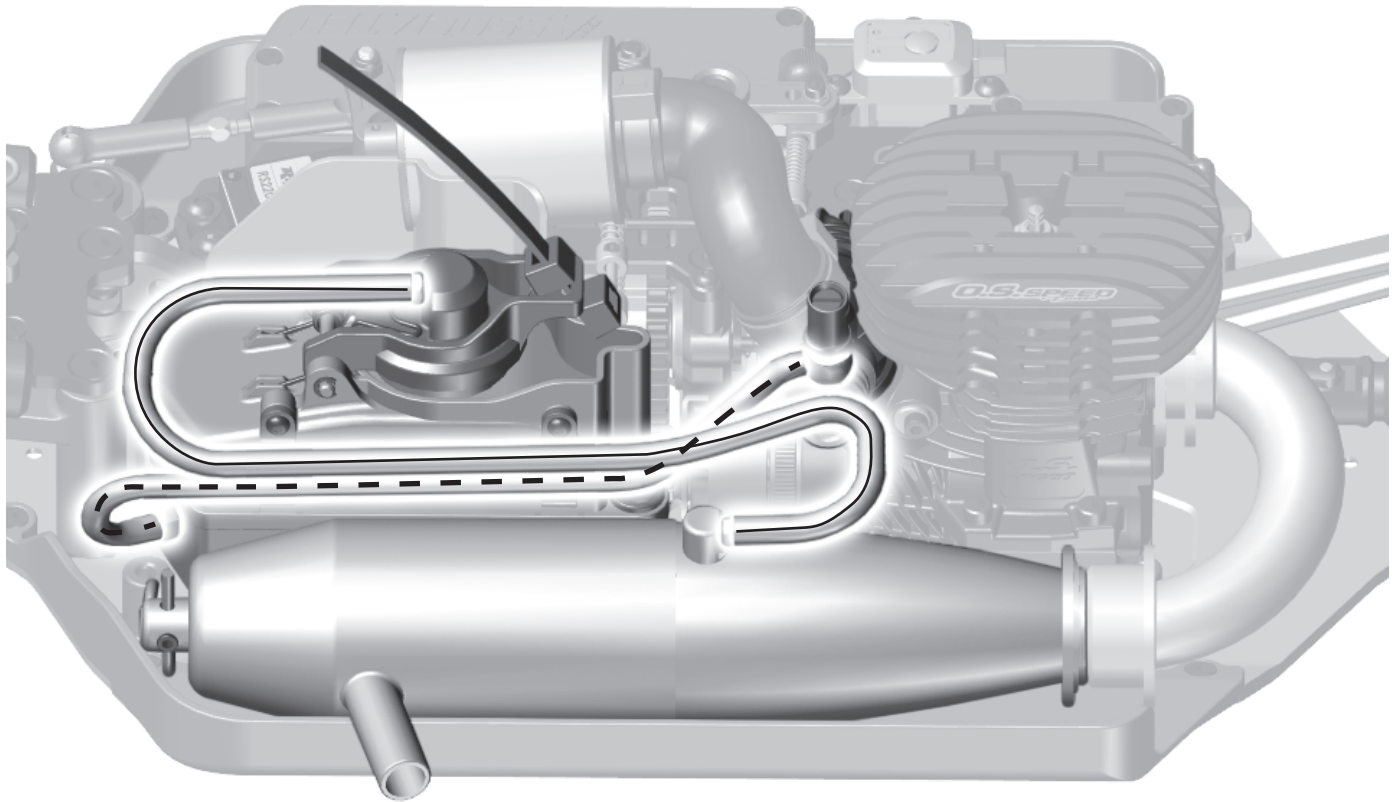


Racer's Tip: Install fuel tank posts to chassis before installing the fuel tank.

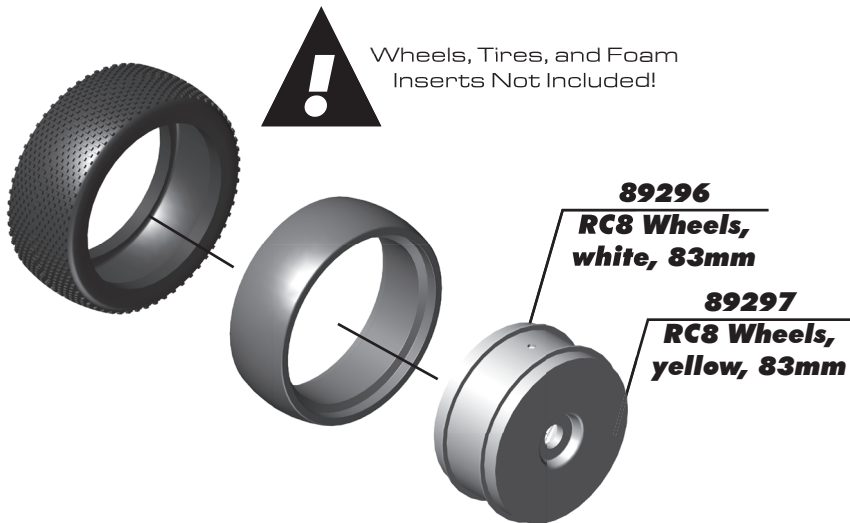
:: Fuel Tank Build - Bag 13.1, 13.2 - Step 2

Pressure line from fuel tank lid to exhaust pipe

Fuel line from fuel tank to carburetor



:: Wheels / Tires / Body - Misc. - Step 1

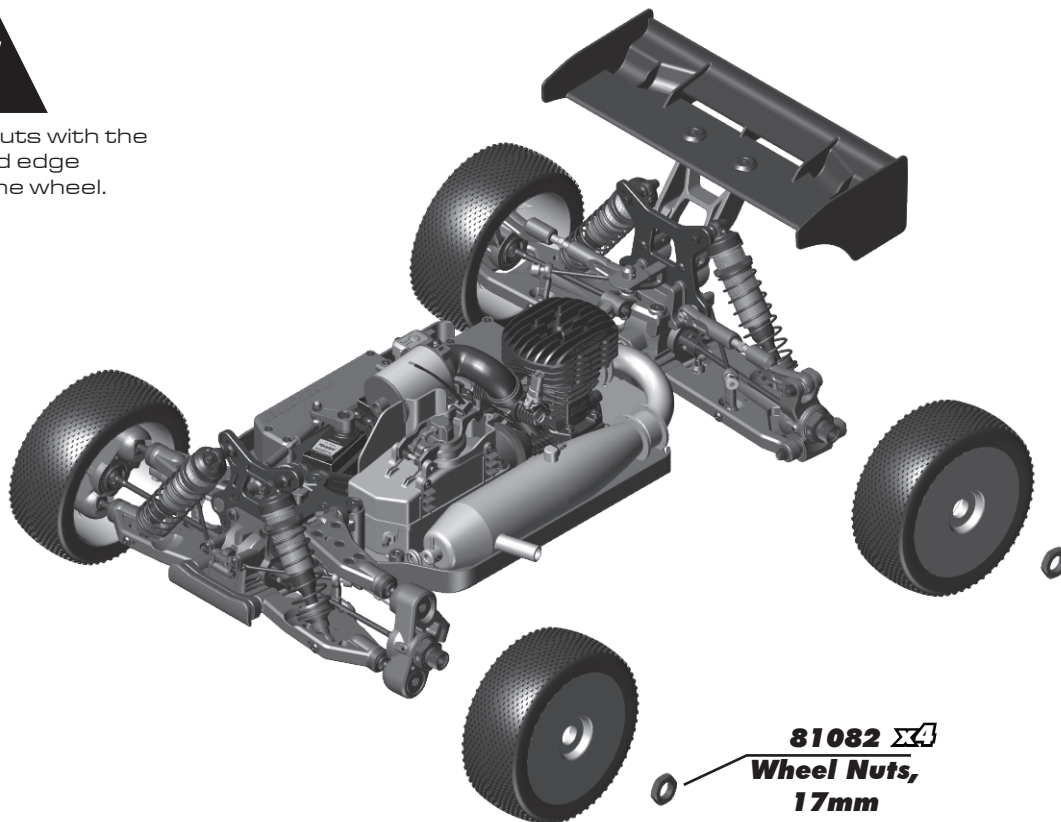


Tires:
When gluing tires to wheels, use a fast-curing tire glue (CA) [AE # 1597]. This is available at your local hobby shop. Make sure to clean the mounting surface of the tire and wheel with alcohol for best adhesion.

:: Wheels / Tires / Body - Misc. - Step 2

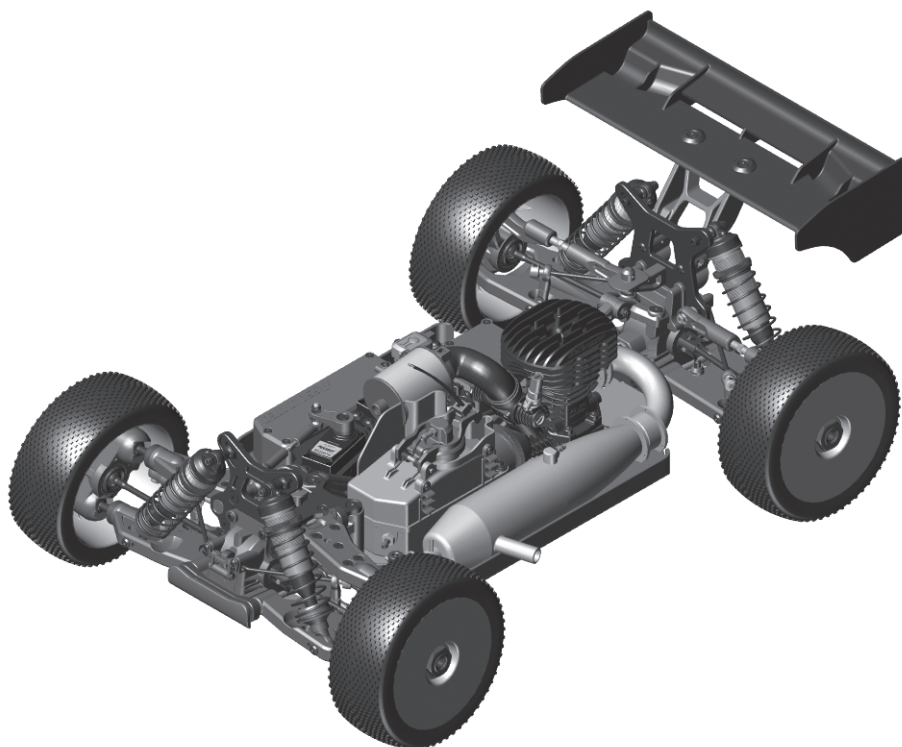


Install wheel nuts with the serrated edge towards the wheel.



81082 
Wheel Nuts,
17mm
(Blue)

:: Wheels / Tires / Body - Misc. - Step 3



Painting Tips:

Your kit comes with a clear polycarbonate body. You will need to prep the body before you can paint it. Wash the inside thoroughly with warm water and liquid detergent. Dry the body using a clean, soft, lint-free cloth. Install the window masks on the inside of the body. (R/C cars get painted from the inside). Using high quality masking tape, apply tape to the inside of the body to create a design. Spray (either rattle can or airbrush R/C specific paint) the paint to the inside of the body (preferably dark colors first, lighter colors last).

NOTE: use ONLY paint that is recommended for use with (polycarbonate) plastics. If you do not, you can destroy the polycarbonate body!!!

After painting, cut the body along the trim lines. Make sure to drill or use a body reamer to make the holes for the body mounts and antenna!

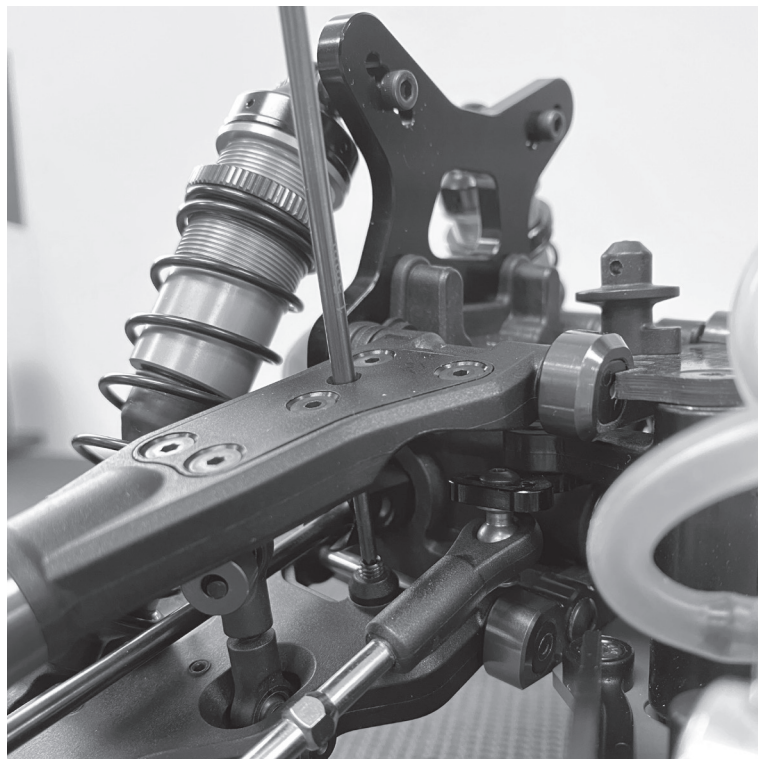
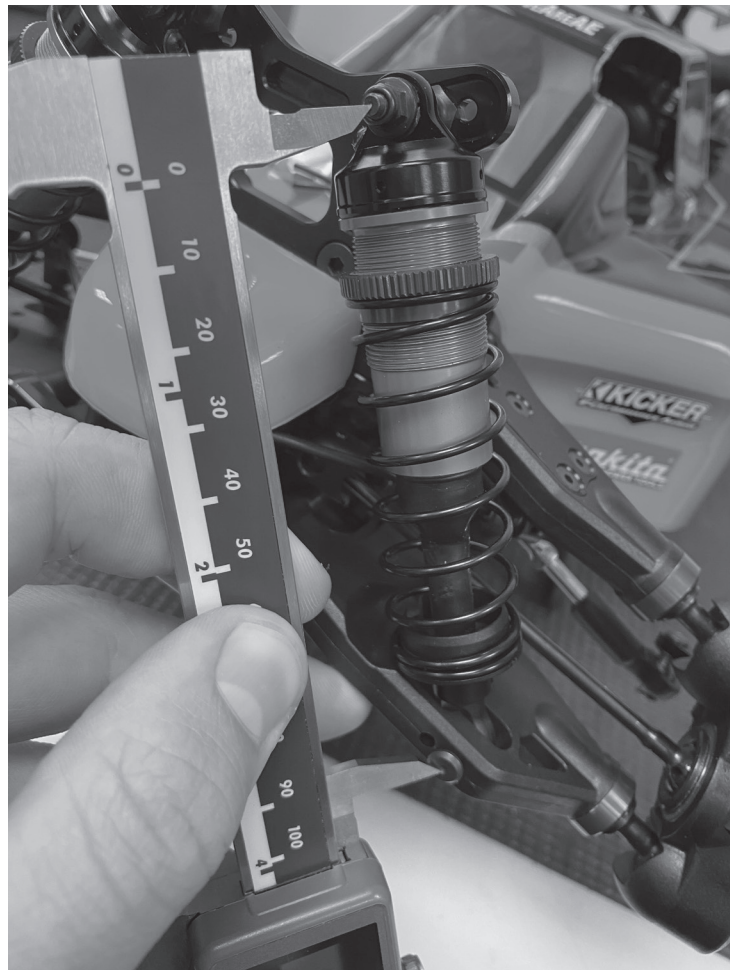
:: Droop Settings

Set droop by measuring overall length of shock (from standoff to shock pin) while the chassis is elevated above your working surface. The shocks should be fully extended.

Kit setup for front droop is 105mm shock length, and 124mm shock length for the rear.

If the shock length is too long, adjust by turning the droop screws clockwise.

If the shock length is too short, adjust by turning the droop screws counter-clockwise.



Front Droop: Increasing front droop (loosen droop screws) will increase off-throttle steering. It also allows the front end to lift more, giving more rear grip and less front grip on-power. Remember to never loosen the screws beyond the FULL DROOP setting. Decreasing front droop (tighten droop screws) yields more on-power steering and quicker response at the expense of some stability in bumpy sections. It will also give less off-throttle steering.

Rear Droop: Increasing rear droop (loosen droop screws) will increase traction in bumpy sections, but will reduce high-speed stability. Remember to never loosen the screws beyond the FULL DROOP setting. Decreasing rear droop (tighten droop screws) will increase stability in high speed sections, but will reduce stability in bumpy sections.

Setup Sheets:

To find different setups for your kit, visit our website, www.rc10.com and click on the "Setup Sheets" link, and then the link to your model. Our team of professional drivers help develop these setups at races worldwide. Additionally, most drivers have a "base" setup that they use as a starting point for most races. Try running some of our base setups or look for track conditions and tires that are similar to your local track and replicate that setup. Remember, each adjustment has a purpose, so copy everything from the setup sheet and then make adjustments based on the recommendations in here.

:: Shocks

81160	RC8B3 Shock Body, 30.5mm	2
81161	RC8B3 Shock Body, 39.5mm	2
81170	RC8B3 TiN Shock Shaft, 3x30.5mm	2
81173	RC8B3 TiN Shock Shaft, 3.5x42.5mm	2
81181	RC8B3 Shock Cap Insert	2
81185	RC8B3 Shock Rebuild Kit	2
81186	RC8B3 Shock O-Ring	8
81188	RC8B3 Shock Body Seal Retainer	2
81190	RC8B3 Shock Boots	4
81194	RC8B3 Shock Rod End & Spring Cup	4
81200	RC8B3 Shock Pistons (6x1.3 - KIT, 6x1.3 T, 8x1.2 T)	2 ea.
81221	Spring Collars, 20mm	2
81452	RC8B3.2 Shock Cap	2
81453	RC8B3 Shock Bladder, Stiff	2
81461	RC8B3.2 Shock Kit, Front	1
81462	RC8B3.2 Shock Kit, Rear	1
89215	M2.5mm Shock Piston Locknut	10
89278	Washer, 2.6x6mm	20
91492	12mm V2 Bleeder Screw / Gasket	2

:: Shock Fluid

5420	10 Weight Silicone Shock Fluid	2oz.
5421	20 Weight Silicone Shock Fluid	2oz.
5422	30 Weight Silicone Shock Fluid	2oz.
5423	40 Weight Silicone Shock Fluid	2oz.
5424	22.5 Weight Silicone Shock Fluid	2oz.
5425	80 Weight Silicone Shock Fluid	2oz.
5426	27.5 Weight Silicone Shock Fluid	2oz.
5427	15 Weight Silicone Shock Fluid	2oz.
5428	25 Weight Silicone Shock Fluid	2oz.
5429	35 Weight Silicone Shock Fluid	2oz.
5430	45 Weight Silicone Shock Fluid	2oz.
5431	55 Weight Silicone Shock Fluid	2oz.
5432	32.5 Weight Silicone Shock Fluid	2oz.
5433	37.5 Weight Silicone Shock Fluid	2oz.
5434	42.5 Weight Silicone Shock Fluid	2oz.
5435	50 Weight Silicone Shock Fluid	2oz.
5436	60 Weight Silicone Shock Fluid	2oz.
5437	70 Weight Silicone Shock Fluid	2oz.
5438	47.5 Weight Silicone Shock Fluid	2oz.



Front:
81170

Rear:
81173



81190



81194

81194



81452



81453



Front:
81160

Rear:
81161



81185



81185



81185



81185



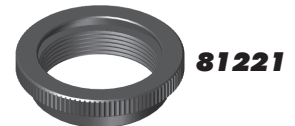
81185



81188



81221



81221



Kit Front:
81225

Kit Rear:
81231



81194

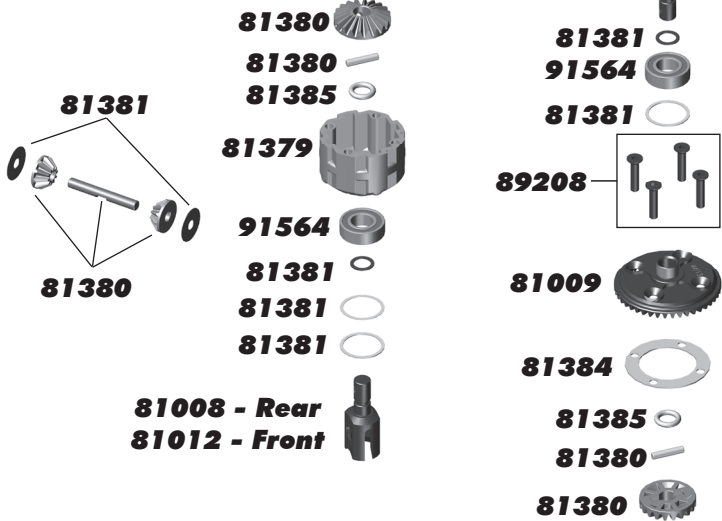
:: Springs

81222	Front Spring, V2, 4.9lb/in, Green	Pr.
81223	Front Spring, V2, 5.1lb/in, White	Pr.
81224	Front Spring, V2, 5.3lb/in, Gray	Pr.
81225	Front Spring, V2, 5.5lb/in, Blue - KIT	Pr.
81226	Front Spring, V2, 5.7lb/in, Yellow	Pr.
81229	Rear Spring, V2, 4.1lb/in, White	Pr.
81230	Rear Spring, V2, 4.2lb/in, Gray	Pr.
81231	Rear Spring, V2, 4.3lb/in, Blue - KIT	Pr.
81232	Rear Spring, V2, 4.4lb/in, Yellow	Pr.

:: Front / Rear Gear Differential

81008	Diff Outdrives, 15mm (Rear Diff)	2
81009	RC8B3.1 Underdrive Diff Gear Set, 42T	1
81012	Diff Outdrives, 17mm (Front Diff)	2
81379	RC8B3.1 Differential Case	1
81380	RC8B3.1 Differential Gear Set (HTC) - Kit	1
81381	RC8B3.1 Differential Shim Set	1
81383	RC8B3.1 Differential Gear Set (LTC)	1
81384	RC8B3.1 Differential Gasket	3
81385	RC8B3.1 Differential O-Ring Set	1
89208	M3 x 14mm FHCS	10
91564	8 x 16 x 5mm Bearings	2

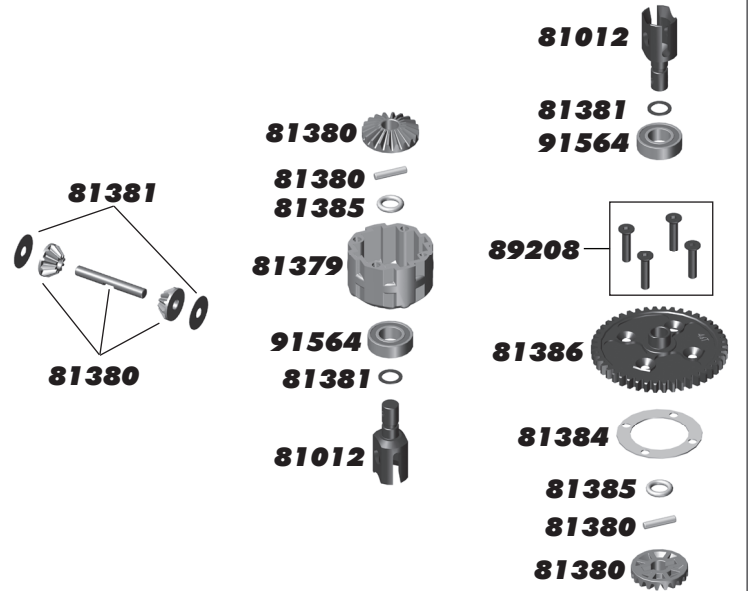
81008 - Rear
81012 - Front



:: Center Gear Differential

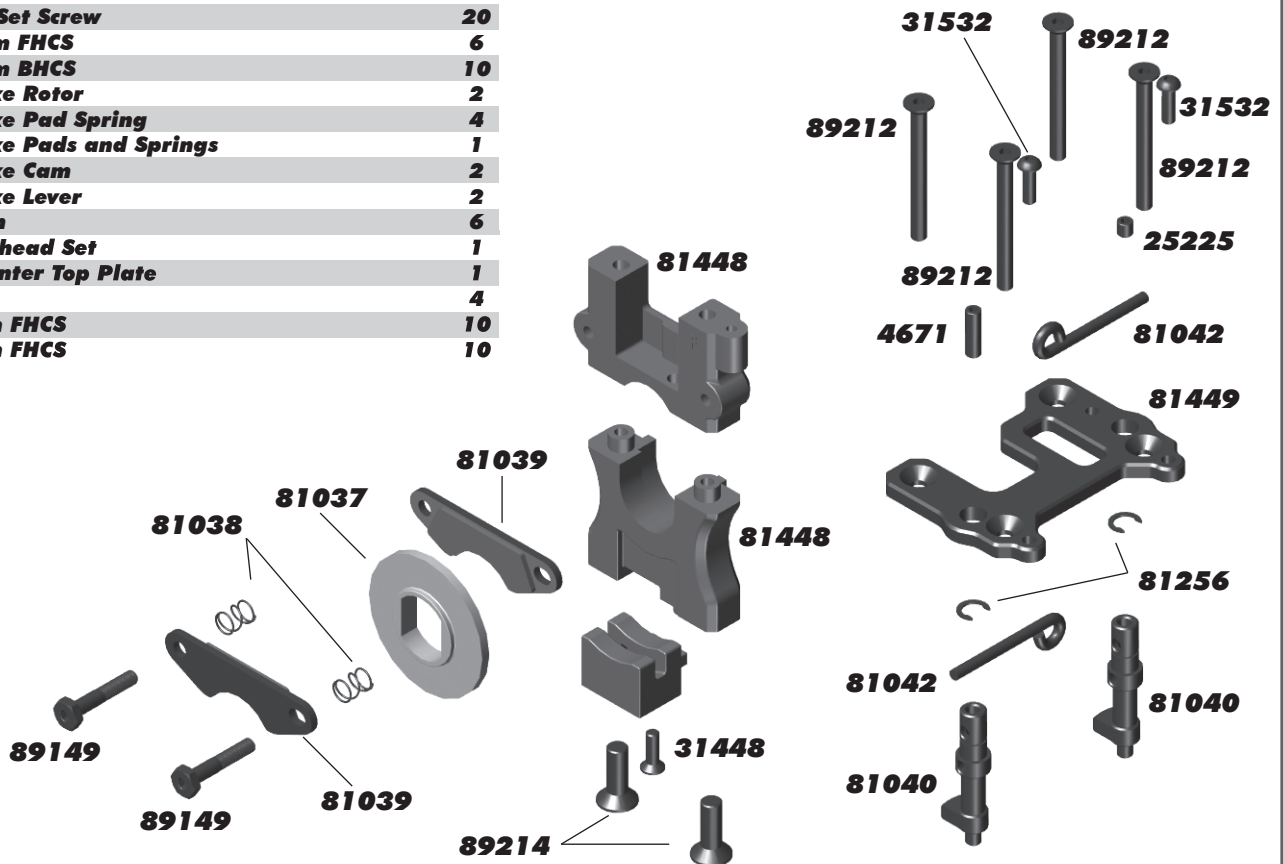
81012	Diff Outdrives, 17mm (Center Diff)	2
81379	RC8B3.1 Differential Case	1
81380	RC8B3.1 Differential Gear Set (HTC)	1
81381	RC8B3.1 Differential Shim Set	1
81383	RC8B3.1 Differential Gear Set (LTC)	1
81384	RC8B3.1 Differential Gasket	3
81385	RC8B3.1 Differential O-Ring Set	1
81386	RC8B3.1 Spur Gear, 46T - KIT	1
89208	M3 x 14mm FHCS	10
91564	8 x 16 x 5mm Bearings	2

81012



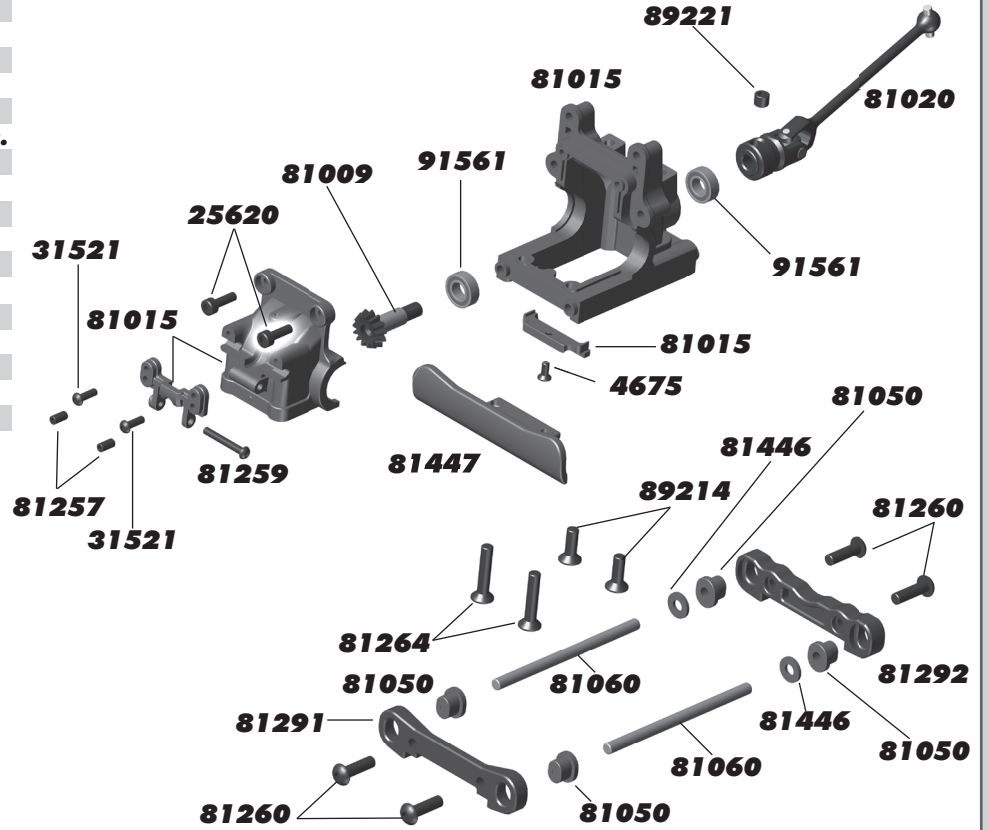
:: Center Bulkhead

4671	M3 x 10mm Set Screw	6
25225	M3 x 3mm Set Screw	20
31448	M2.5 x 8mm FHCS	6
31532	M2.5 x 8mm BHCS	10
81037	RC8B3 Brake Rotor	2
81038	RC8B3 Brake Pad Spring	4
81039	RC8B3 Brake Pads and Springs	1
81040	RC8B3 Brake Cam	2
81042	RC8B3 Brake Lever	2
81256	C-Clip, 5mm	6
81448	Center Bulkhead Set	1
81449	RC8B3.2 Center Top Plate	1
89149	Brake Bolt	4
89212	M3 x 30mm FHCS	10
89214	M4 x 12mm FHCS	10



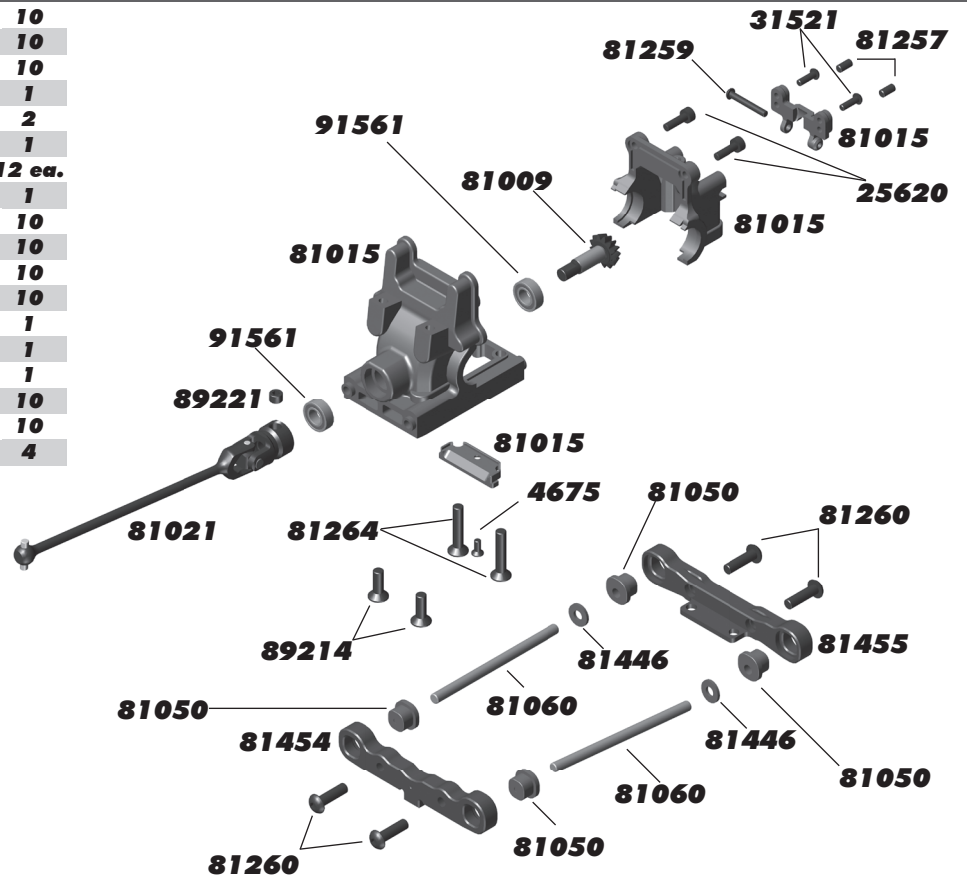
:: Front Gearbox

4675	M2.5 x 6mm FHCS	10
25620	M3 x 10mm SHCS	10
31521	M2.5 x 8mm BHCS	10
81009	RC8B3.1 Diff Pinion Gear, 12T	1
81015	RC8B3 Gearbox	2
81020	RC8B3 Center Universal, 76mm	1
81050	RC8B3 Arm Mount Insert	12 ea.
81060	RC8B3 Hinge Pin Set	1
81257	M3 x 6mm Set Screw	10
81259	M2.5 x 18mm BHCS	10
81260	M4 x 14mm BHCS	10
81264	M4 x 20mm FHCS	10
81291	RC8B3 HRC Arm Mount, A	1
81292	RC8B3 HRC Arm Mount, B	1
81446	RC8B3 Shim Set	1
81447	RC8B3 Body Post & Bumper	1
89214	M4 x 12mm FHCS	10
89221	M5 x 4mm Set Screw	10
91561	Bearing, 6 x 12 x 4mm	4



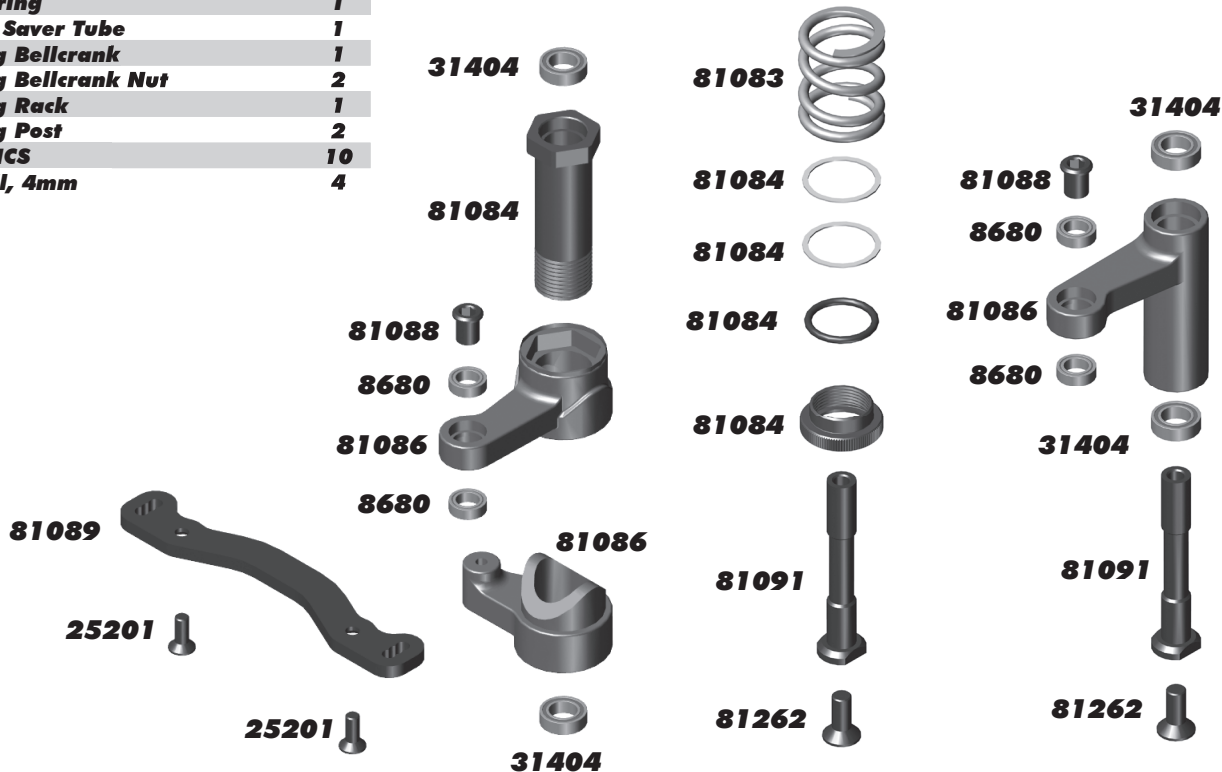
:: Rear Gearbox

4675	M2.5 x 6mm FHCS	10
25620	M3 x 10mm SHCS	10
31521	M2.5 x 8mm BHCS	10
81009	RC8B3.1 Diff Pinion Gear, 12T	1
81015	RC8B3 Gearbox	2
81021	Center Universal, 106mm	1
81050	RC8B3 Arm Mount Insert	12 ea.
81060	RC8B3 Hinge Pin Set	1
81257	M3 x 6mm Set Screw	10
81259	M2.5 x 18mm BHCS	10
81260	M4 x 14mm BHCS	10
81264	M4 x 20mm FHCS	10
81446	RC8B3 Shim Set	1
81454	RC8B3 HRC Arm Mount, Narrow, C	1
81455	RC8B3 HRC Arm Mount, Narrow, D	1
89214	M4 x 12mm FHCS	10
89221	M5 x 4mm Set Screw	10
91561	Bearing, 6 x 12 x 4mm	4



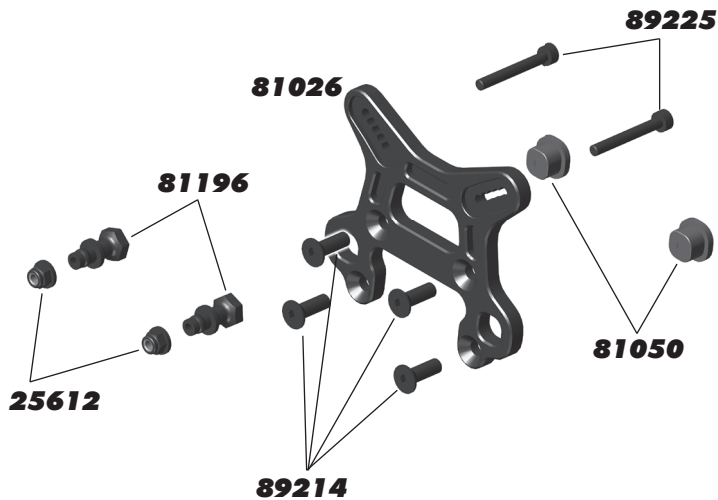
:: Steering

8680	FT Steering Bearing Set, 5 x 8 x 2.5mm & 6 x 10 x 3mm	4 ea.
25201	M3 x 8mm FHCS	10
31404	Bearing, 6 x 10 x 3mm	4
81083	Servo Saver Spring	1
81084	RC8B3.1 Servo Saver Tube	1
81086	RC8B3 Steering Bellcrank	1
81088	RC8B3 Steering Bellcrank Nut	2
81089	RC8B3 Steering Rack	1
81091	RC8B3 Steering Post	2
81262	M4 x 10mm FHCS	10
81397	Turnbuckle Ball, 4mm	4



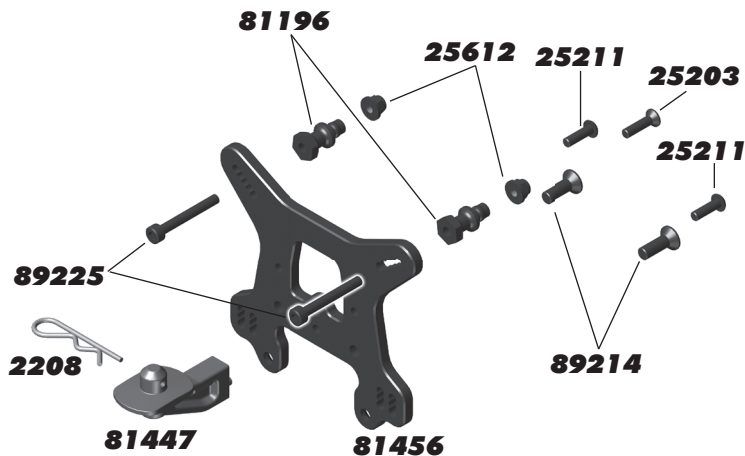
:: Front Shock Tower

25612	M3 Locknut with Flange, Black	20
81026	RC8B3 Shock Tower, Front	1
81050	RC8B3 Arm Mount Inserts	12 ea.
81196	RC8B3 Shock Bushing	4
89214	M4 x 12mm FHCS	10
89225	M3 x 24mm SHCS	10



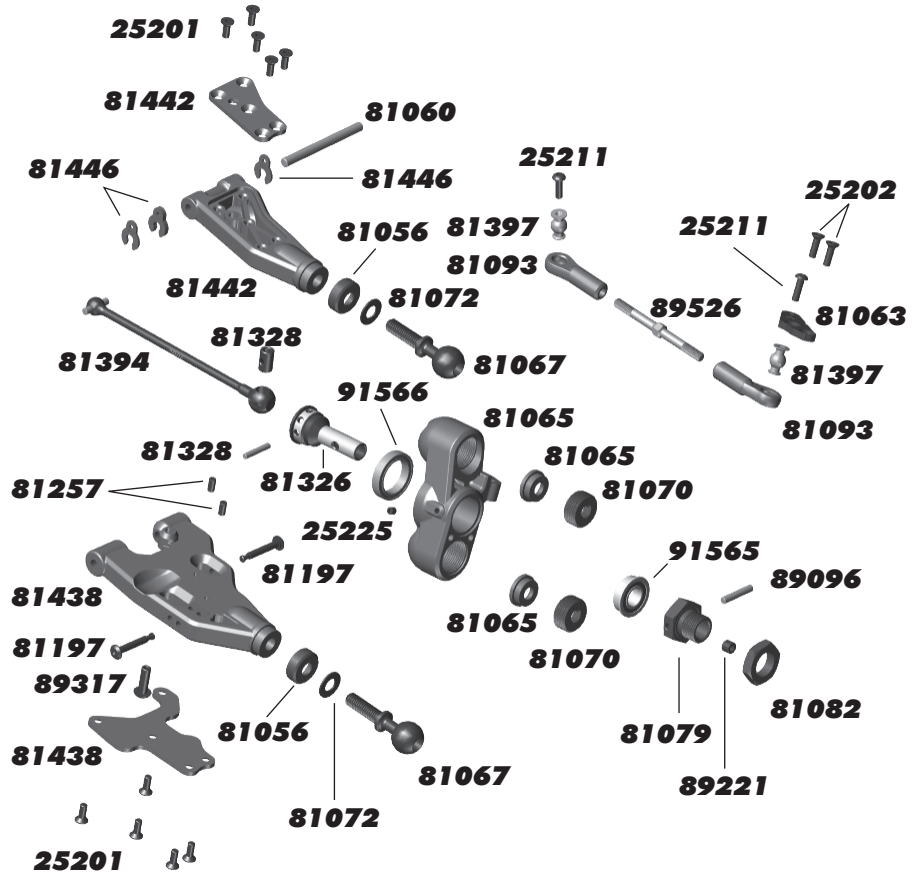
:: Rear Shock Tower

2208	Large Hood Pins	6
25203	M3 x 12mm FHCS	20
25211	M3 x 10mm BHCS	20
25612	M3 Locknut with Flange, Black	20
81196	RC8B3 Shock Bushing	4
81447	RC8B3 Body Posts & Bumper	1
81456	RC8B3.2 Rear Shock Tower, Aluminum	1
89214	M4 x 12mm FHCS	10
89225	M3 x 24mm SHCS	10



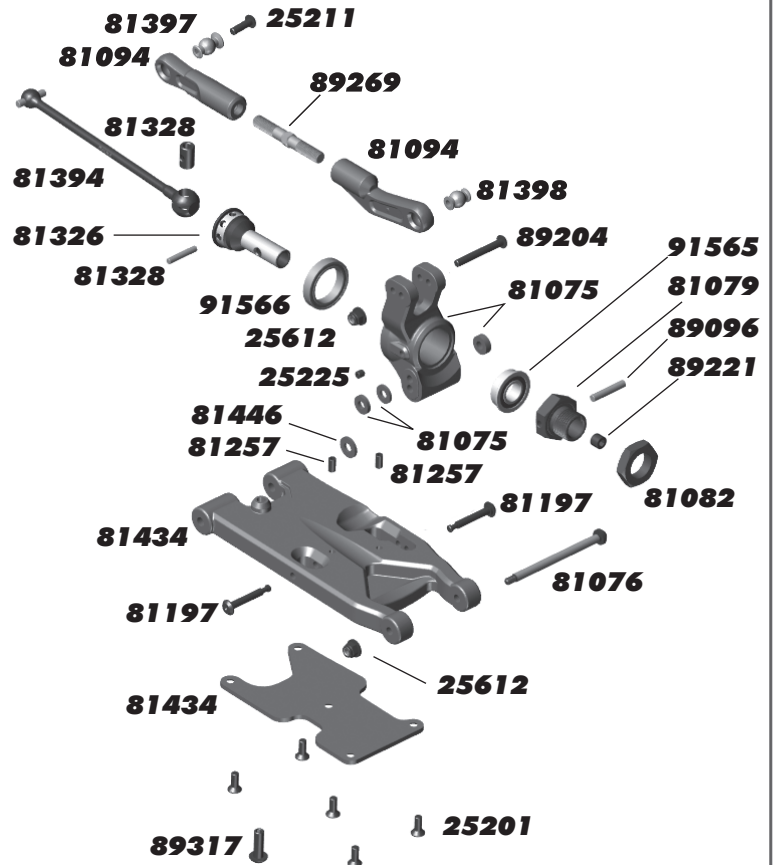
:: Front Suspension

25201	M3 x 8mm FHCS	10
25202	M3 x 10mm FHCS	10
25211	M3 x 10mm BHCS	10
25225	M3 x 3mm Set Screw	10
81056	RC8B3 Suspension Arm Endcap	4
81060	RC8B3 Hinge Pin Set	1
81063	RC8B3 Steering Block Arm +2 deg	Pr.
81065	RC8B3 Steering Block	Pr.
81067	RC8B3 Pillow Ball	2
81070	RC8B3 Pillow Ball Nut	4
81072	RC8B3 Pillow Ball Shim	6
81079	RC8B3 Wheel Hexes, +1mm wide	2
81082	RC8B3 Wheel Nuts, 17mm Blue	2
81093	RC8B3 Rod End, 4mm (4 ball joints, 2 rod ends, 2 offset rod ends)	1
81197	RC8B3 Shock Pin	4
81257	M3 x 6mm Set Screw	10
81326	RC8B3 CVA Axle, steel	2
81328	FT RC8B3 CVA Rebuild Kit	1
81394	RC8B3.1 CVA Driveshaft (94mm)	2
81397	RC8B3.1 Turnbuckle Balls	4
81438	RC8B3.2 Front Lower Susp. Arms	1
81442	RC8B3.2 Front Upper Arm Set	Pr.
81446	RC8B3 Shim Set	1
89096	Wheel Hex Pin	4
89221	M5 x 4mm Set Screw	10
89317	Droop Screw	8
89526	4 x 50mm Turnbuckle	2
91565	8 x 16 x 5mm Flanged Bearing	4
91566	15 x 21 x4mm Bearing	4



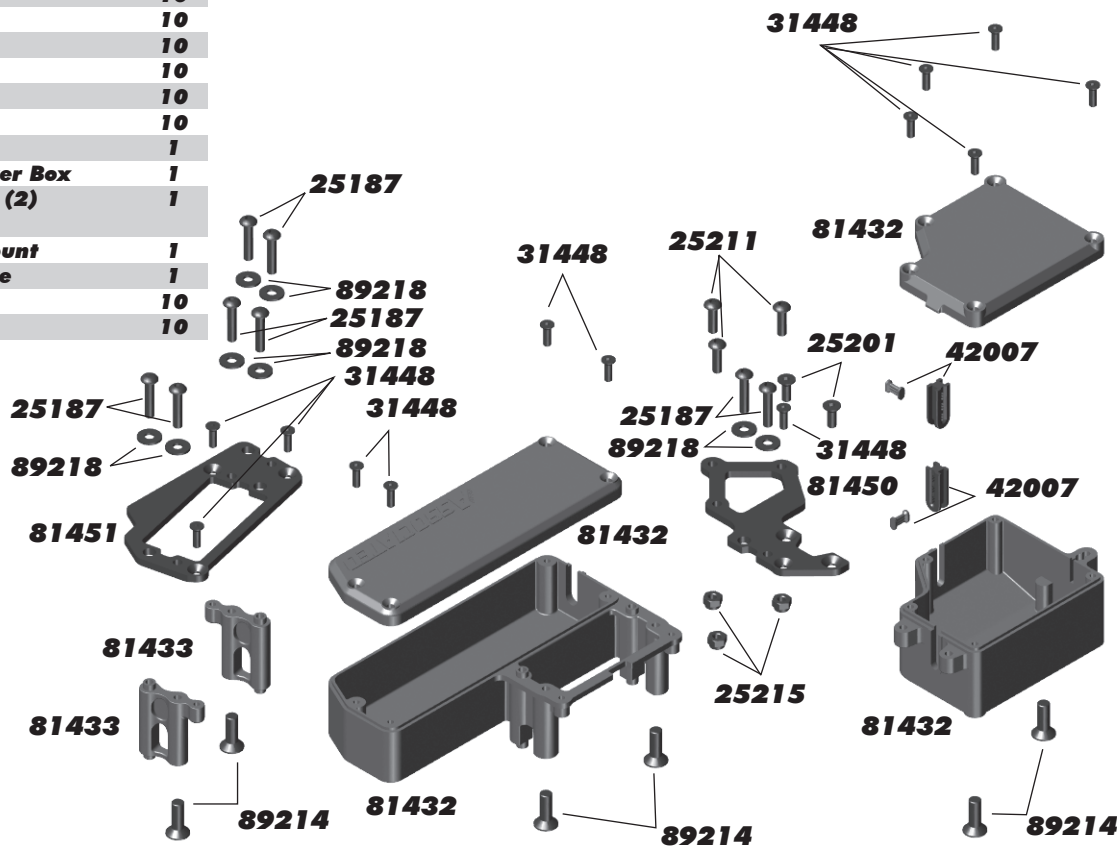
:: Rear Suspension

25201	M3 x 8mm FHCS	10
25211	M3 x 10mm BHCS	10
25225	M3 x 3mm Set Screw	10
25612	M3 Flanged Locknut	10
81075	RC8B3 Rear Hub	Pr.
81076	RC8B3 Hub Hinge Pin	2
81079	RC8B3 Wheel Hexes, +1mm wide	2
81082	RC8B3 Wheel Nuts, 17mm Blue	2
81094	RC8B3 Rod End, 5mm (4 ball joints, 2 rod ends, 2 offset rod ends)	1
81197	RC8B3 Shock Pin	4
81257	M3 x 6mm Set Screw	6
81326	RC8B3 CVA Axle, steel	2
81328	FT RC8B3 CVA Rebuild Kit	1
81394	RC8B3.1 CVA Driveshaft (94mm)	2
81397	RC8B3.1 Turnbuckle Ball	4
81398	RC8B3.1 Turnbuckle Ball (Shouldered)	4
81434	RC8B3.2 Rear Arm Set	1
81446	RC8B3 Shim Set	1
89096	Wheel Hex Pin	4
89204	M3 x 24mm BHCS	10
89221	M5 x 4mm Set Screw	10
89269	Steel Turnbuckle, 5 x 38mm	2
89317	Droop Screw	8
91565	8 x 16 x 5mm Flanged Bearing	4
91566	15 x 21 x4mm Bearing	2



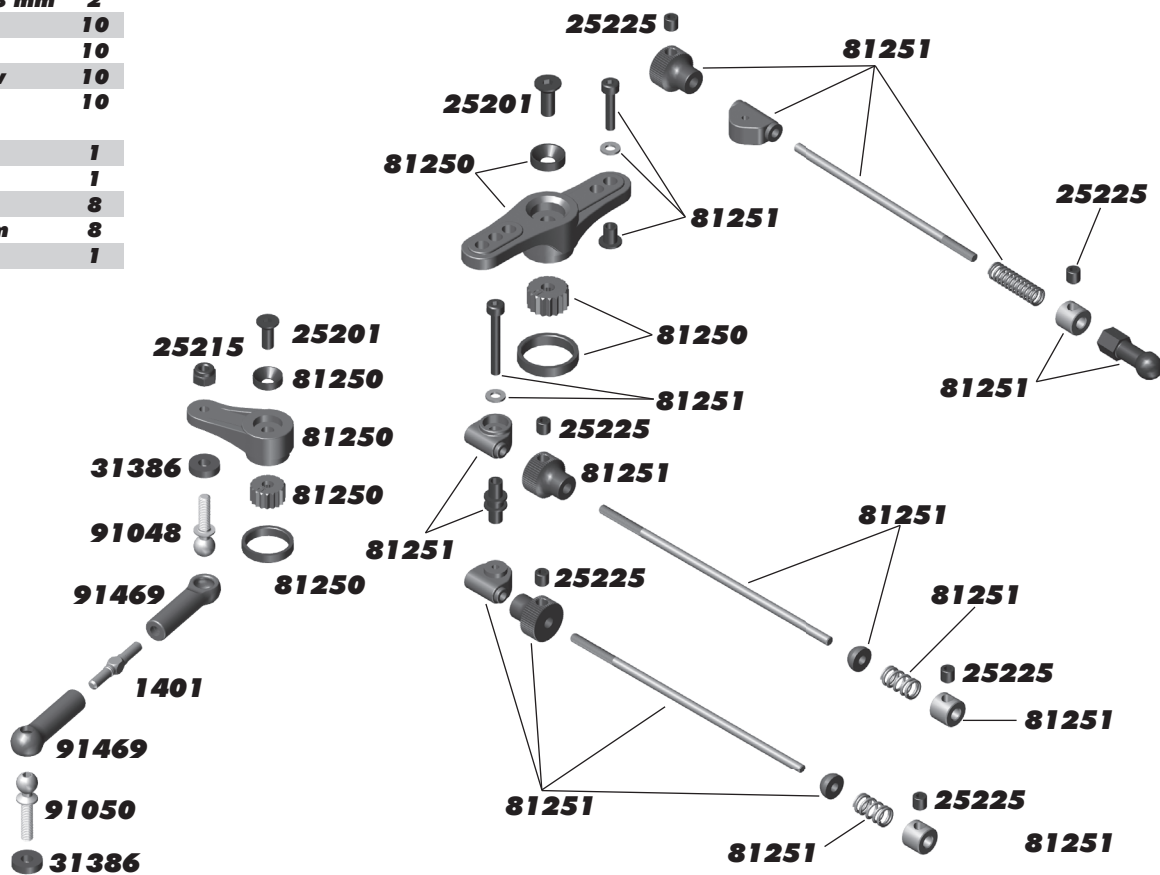
:: Radio Tray

6338	Antenna Tube with Cap, Black	1
25187	M3 x 14mm BHCS	10
25201	M3 x 8mm FHCS	10
25211	M3 x 10mm BHCS	10
25215	M3 Locknuts	10
25225	M3 x 3mm Set Screw	10
31448	M2.5 x 8mm FHCS	10
42007	Receiver Box Seals	1
81432	RC8B3.2 Battery / Receiver Box	1
81433	RC8B3.2 Radio Tray Post (2) Spacers (4)	1
81450	RC8B3.2 Transponder Mount	1
81451	RC8B3.2 Radio Tray Brace	1
89214	M4 x 12mm FHCS	10
89218	M3 x 8mm Washer	10



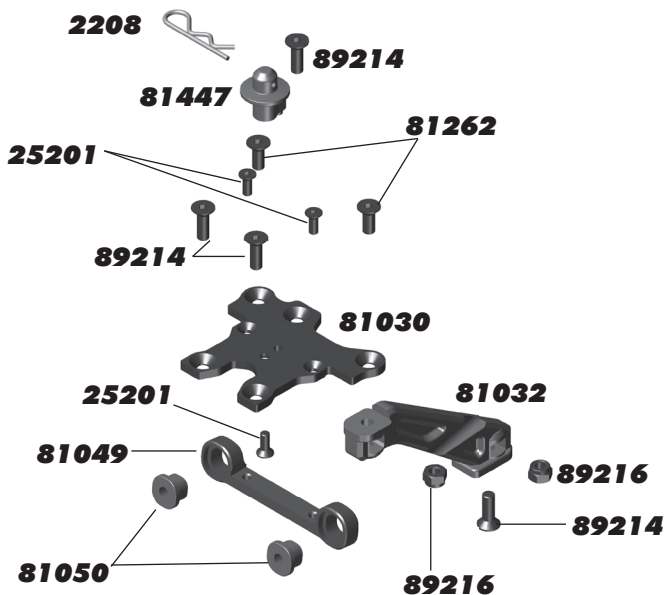
:: Linkage

1401	FT Ti. Turnbuckle, 33 mm	2
25201	M3 x 8mm FHCS	20
25215	M3 Locknut, Black	10
25225	M3 x 3mm Set Screw	10
31386	Bulkhead Washer, 7.8x2.0mm, Blue	10
81250	RC8B3 Servo Horns	1
81251	RC8B3 Linkage Set	1
91048	HD Ballstuds, 8 mm	8
91050	HD Ballstuds, 12 mm	8
91469	Ball Cup Set, small	1



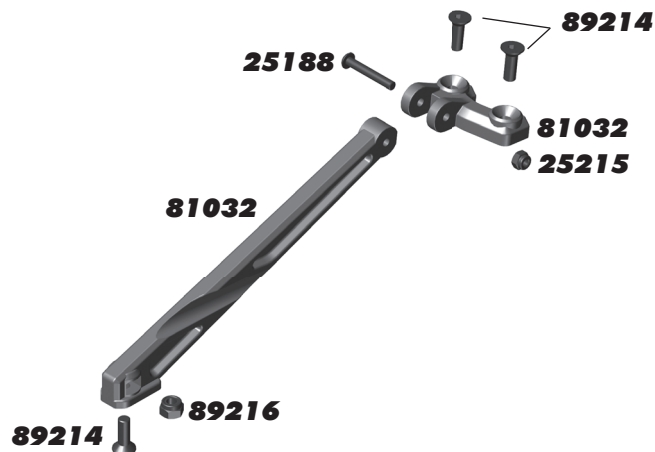
:: Front Chassis Brace

2208	Large Hood Pins	6
25201	M3 x 8mm FHCS	10
81030	RC8B3 Top Plate	1
81032	RC8B3 Chassis Brace	Pr.
81049	RC8B3 Upper Link Mount	1
81050	RC8B3 Arm Mount Insert	12 ea.
81262	M4 x 10mm FHCS	10
81447	RC8B3.2 Body Post and Bumpers	1
89214	M4 x 12mm FHCS	10
89216	M4 Locknut	10



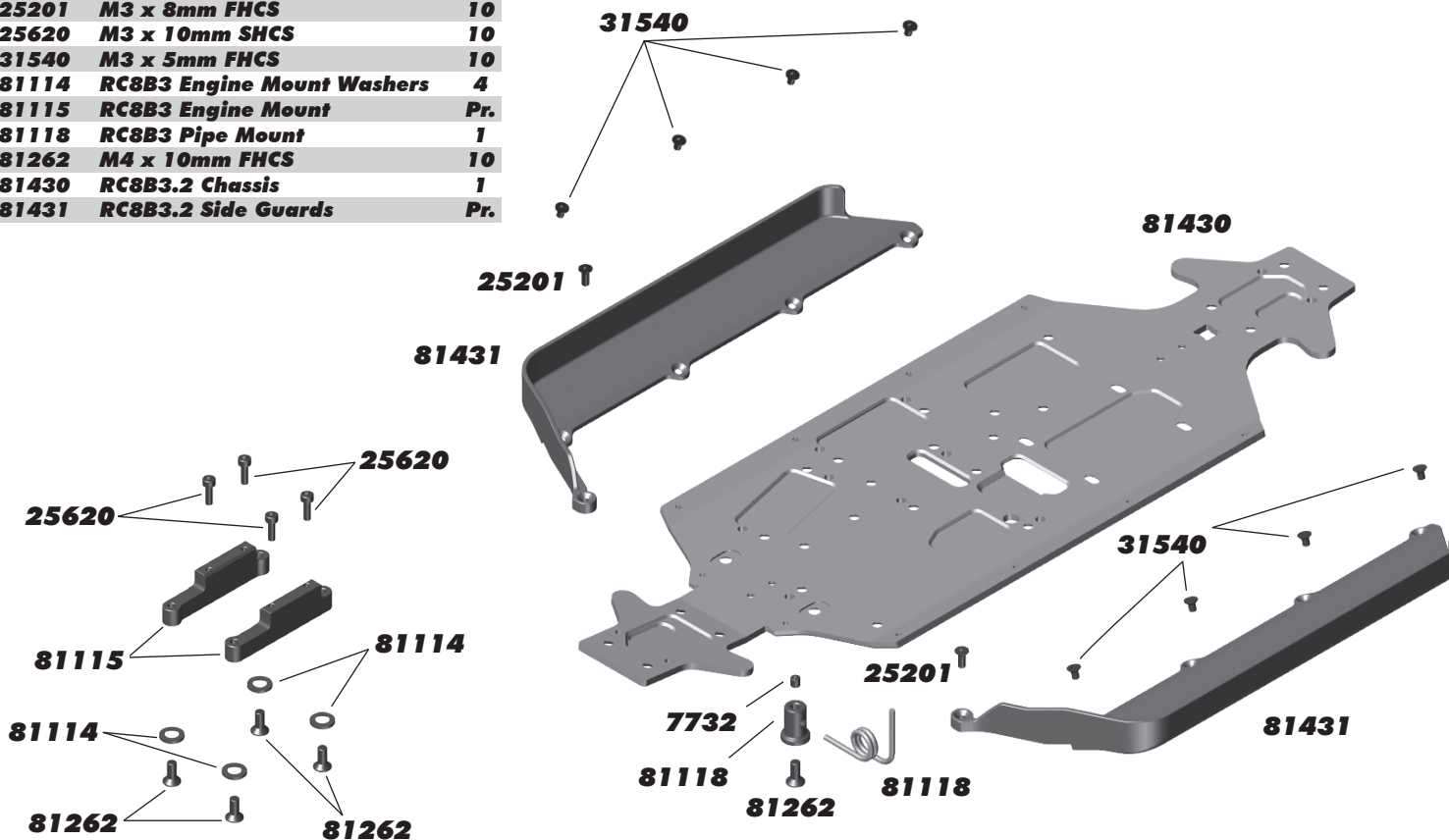
:: Rear Chassis Brace

25188	3 x 20mm BHCS	20
25215	M3 Locknut, Black	20
81032	RC8B3 Chassis Brace	Pr.
89214	4 x 12mm FHCS	10
89216	M4 Locknut	10



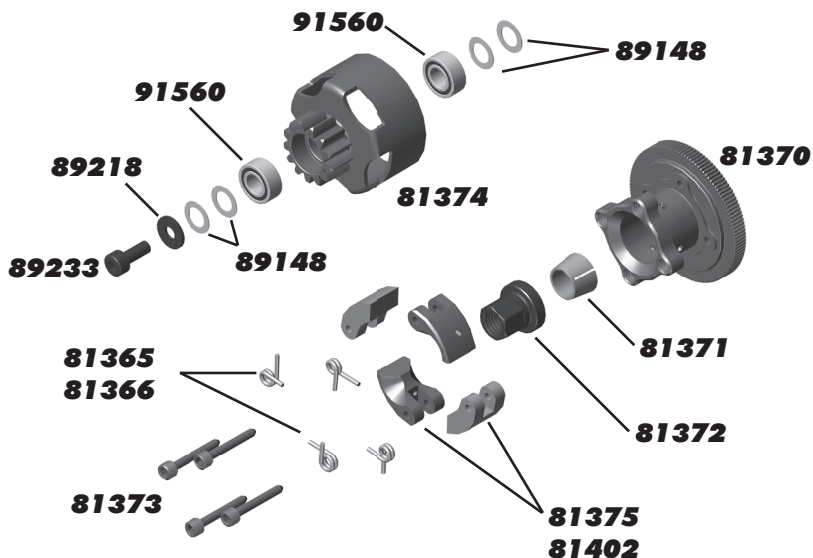
:: Chassis

7732	M4 x 4mm Set Screw	10
25201	M3 x 8mm FHCS	10
25620	M3 x 10mm SHCS	10
31540	M3 x 5mm FHCS	10
81114	RC8B3 Engine Mount Washers	4
81115	RC8B3 Engine Mount	Pr.
81118	RC8B3 Pipe Mount	1
81262	M4 x 10mm FHCS	10
81430	RC8B3.2 Chassis	1
81431	RC8B3.2 Side Guards	Pr.



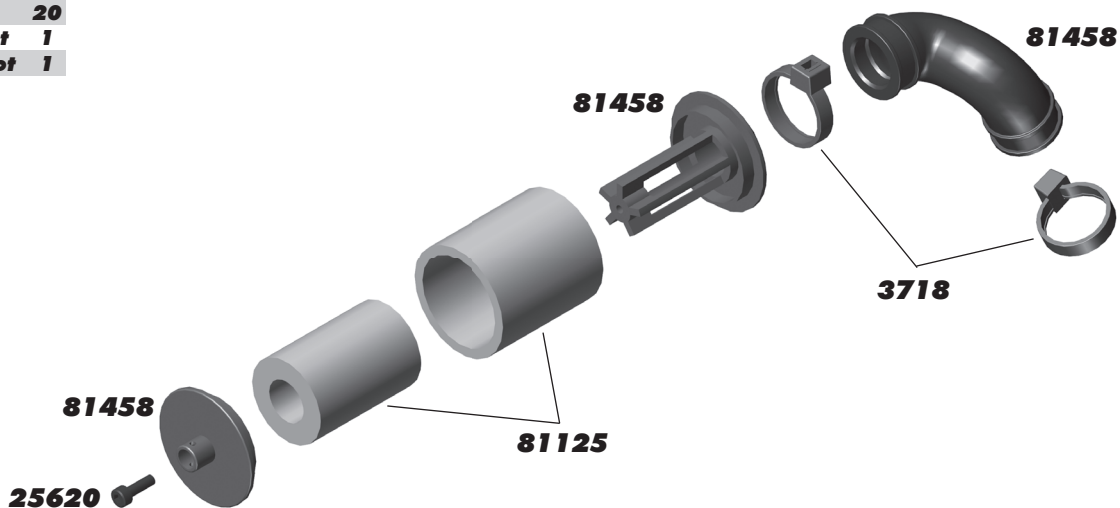
:: Clutch

81365	Clutch Springs (0.90, 4 Shoe) - KIT	4
81366	Clutch Springs (0.95, 4 Shoe) - KIT	4
81367	Clutch Springs (1.00, 4 Shoe)	4
81368	Clutch Springs (1.05, 4 Shoe)	4
81369	Clutch Springs (1.10, 4 Shoe)	4
81370	RC8B3.1 Flywheel (4 Shoe)	1
81371	RC8B3.1 Flywheel Collet (4 Shoe)	2
81372	RC8B3.1 Flywheel Nut (4 Shoe)	1
81373	Clutch Shoe Pins (4 Shoe)	4
81374	Clutch Bell (13T, Vented, 4 Shoe)	1
81375	Clutch Shoe, Hard (4 Shoe) - KIT	2
81377	Clutch Shoe, Composite Hard (4 Shoe)	2
81402	Clutch Shoe, Composite (4 Shoe) - KIT	2
89148	Clutch Bell Shim Set	1
89218	M3 x 8mm Washer	10
89223	M3 x 8mm SHCS	10
91560	5 x 10 x 4mm Bearing	4



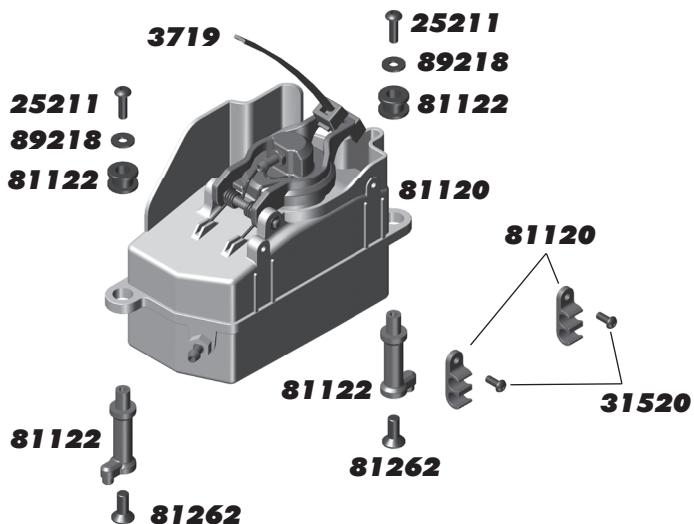
:: Air Filter

3718	Nylon Wire Tie, 12"	12
25620	3 x 10mm SHCS	20
81125	RC8B3 Air Filter Element	1
81458	RC8B3.2 Air Filter & Boot	1



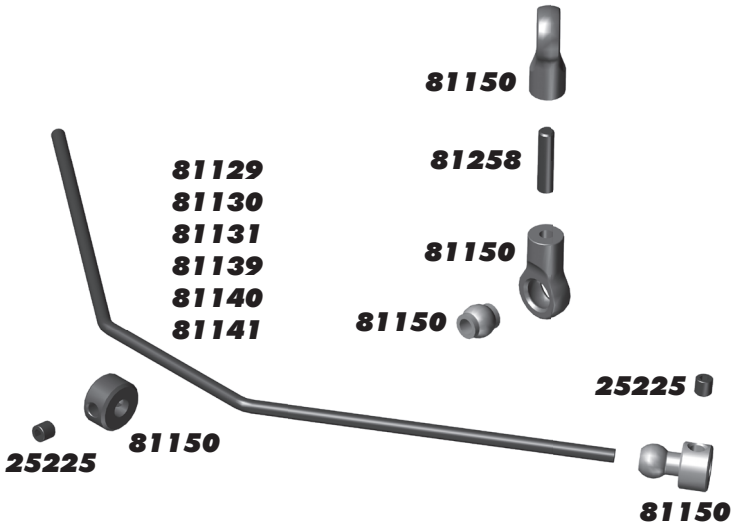
:: Fuel Tank

3719	Nylon Wire Tie, 6"	1
25211	3 x 10mm BHCS	20
31520	2.5 x 6mm BHCS	6
81120	RC8B3 Fuel Tank	1
81122	RC8B3 Tank Post / Grommet	2 ea.
81262	4 x 10mm FHCS	6
89218	3 x 8mm Washer	10



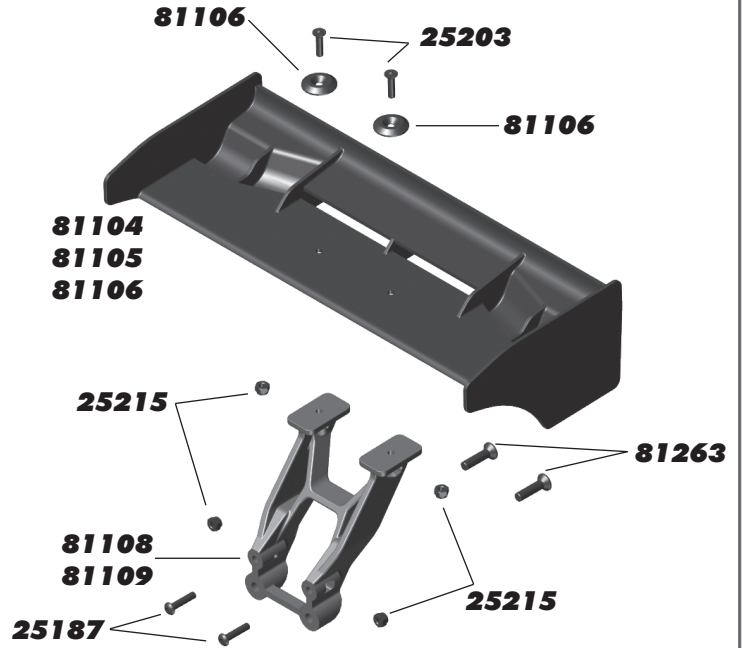
:: Anti-Roll Bars

25225	M3 x 3mm Set Screw	10
81129	RC8B3 Front Anti-Roll Bars (2.0, 2.1, 2.2mm)	1 ea.
81130	RC8B3 Front Anti-Roll Bars (2.3, 2.4, 2.5mm)	1 ea.
81131	RC8B3 Front Anti-Roll Bars (2.6, 2.7, 2.8mm)	1 ea.
81139	RC8B3 Rear Anti-Roll Bars (2.2, 2.3, 2.4mm)	1 ea.
81140	RC8B3 Rear Anti-Roll Bars (2.5, 2.6, 2.7mm)	1 ea.
81141	RC8B3 Rear Anti-Roll Bars (2.8, 2.9, 3.0mm)	1 ea.
81150	RC8B3 Anti-Roll Bar Drop Link / Collet	1
81258	M3 x 12mm Set Screw	6



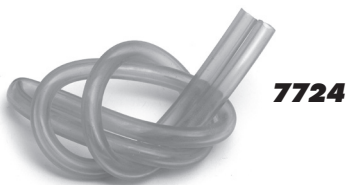
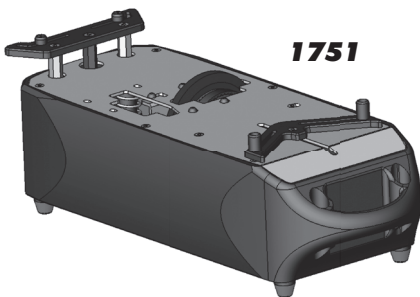
:: Wing

25187	M3 x 14mm BHCS	10
25203	M3 x 12mm FHCS	10
25215	M3 Locknut, Black	10
81104	RC8B3 IFMAR Wing, Black	1
81105	RC8B3 IFMAR Wing, White	1
81106	RC8B3 Wing, Black	1
81108	RC8B3 Wing Mount	1
81109	Wing Mount, +8mm	1
81263	M4 x 16mm FHCS	6



:: Fueling Supplies

1747	Nitro Fuel Bottle 500cc	1
1751	FT Compact Starter Box	1
7724	Fuel Line 15", 380mm	1



:: Wheels / Tires / Bodies / Decals

726	Reedy 2016 Sticker Set	1
81110	RC8B3 Pro Line Body	1
89296	RC8 83mm Wheels (White)	4
89297	RC8 83mm Wheels (Yellow)	4
81464	RC8B3.2 Decal Sheet	1

:: Factory Team and Option Parts

25392	3mm Blue Locknut, Flanged	10
31550	M3 Aluminum Lock Nut	6
81028	RC8B3 FT Carbon Front Shock Tower	1
81077	FT Aluminum Rear Hubs	1
81080	RC8B3 Wheel Hexes, +2mm Wide	2
81081	FT Hex Drives, 17mm, Blue	2
81085	Servo Saver Arm, Aluminum	1
81116	RC8B3 FT Engine Mount Base	1
81117	RC8B3 FT Engine Mounts	Pr.
81382	FT Differential Cross Pins, With Inserts	1
81405	RC8B3.1 FT Chassis Weight, 15g	1
81406	RC8B3.1 FT Chassis Weight, 30g	1
81407	RC8B3.1 Shock Seal Bushing Set	1
81408	FT Aluminum Turnbuckle Ball Set	1
81410	RC8B3.1 Shock Bushings, Blue	4
81413	RC8B3 FT Rigid Engine Mount	1
81420	FT 4-Shoe Adjustable Clutch System	1
81421	FT Adjustable Flywheel and Spring Cam	1
81422	RC8B3.1 FT Graphite Rear Shock Tower, Tall	1

:: Reedy Batteries

302	AA Alkaline 1.5V (4)	1
27313	LiPo Pro TX/RX 2400mAh 7.4V Flat	1
27315	LiFe Pro TX/RX 1600mAh 6.6V Flat	1
27332	LiPo Pro SB (Starter Box) 2100mAh 20C 14.8V	1

:: Lubes & Adhesives / Misc.

1105	FT Green Slime Shock Lube	1
1596	FT Locking Adhesive	1
1597	FT Tire Adhesive	1
5451	Silicone Diff Fluid 2,000CST	1
5452	Silicone Diff Fluid 3,000CST	1
5444	Silicone Diff Fluid 4,000CST	1
5453	Silicone Diff Fluid 5,000CST	1
5446	Silicone Diff Fluid 6,000CST	1
5447	Silicone Diff Fluid 15,000CST	1
5454	Silicone Diff Fluid 7,000CST	1
5455	Silicone Diff Fluid 10,000CST	1
5456	Silicone Diff Fluid 20,000CST	1
5457	Silicone Diff Fluid 30,000CST	1
5458	Silicone Diff Fluid 60,000CST	1
5448	Silicone Diff Fluid 80,000CST	1
5459	Silicone Diff Fluid 100,000CST	1
5461	Silicone Diff Fluid 200,000CST	1
5463	Silicone Diff Fluid 500,000CST	1
5465	Silicone Diff Fluid 1,000,000CST	1
6588	Black Grease - 4cc	1
6591	S.Diff Lube - 4cc	1
6636	Silicone Grease - 4cc	1
6727	Servo Tape	2
7710	FT Foam Prefilter Treatment, 1 oz.	1



1596

:: Reedy Servos & Accessories

27100	RS1206 Digital HV Hi-Speed Competition Servo	1
27101	RT1508 Digital HV Hi-Torque Competition Servo	1
27102	RS1206 Servo Case Set w/screws	1
27103	RS1206 Servo Gear Set	1
27104	RT1508 Servo Case Set w/screws	1
27105	RT1508 Servo Gear Set	1
27114	RT2406 Digital HV Brushless Competition Servo	1
27115	RT2706A Digital HV Aluminum Brushless Comp Servo	1
27122	Reedy Aluminum Servo Horn (25)	1
27123	Reedy Aluminum Clamping Servo Horn (25)	1
27135	RT2406 Gear Set	1
27136	RT2706A Gear Set	1
27137	RS1306 Case Set	1
27138	RT1709 Case Set	1
27139	RT2406 Case Set	1

:: Reedy Chargers and Accessories

27200	1216-C2 Dual AC/DC Comp. Battery Charger	1
27201	324-S AC LiPo/LiFe Compact Balance Charger	1
27201C2	324-S Charger w/3300mAh 7.4V LiPo Battery	1
27201C2	324-S Charger w/4500mAh 11.1V LiPo Battery	1
27201C3	324-S Charger w/4000mAh 14.8V LiPo Battery	1
27202	123-S AC LiPo Compact Balance Charger	1
27220	7-in-1 Universal Charge Lead (4mm)	1
27222	XH 2-6S Balance Board (4mm)	1
27223	RX Charger Lead FUT (4mm)	1
27224	US to IEC 320 C5 angle 1M AC Power Cord	1
27226	EU to IEC 320 C5 angle 1M AC Power Cord	1

:: MyLaps Transponders

MLP10R120	MyLaps RC4 (3-wire) Transponder	1
MLP10R147	MyLaps RC4 (3-wire) Pro Transponder, Black	1
MLP40R222	MyLaps Transponder Holder	1

:: Apparel / Promotional**TEE SHIRTS**

SP124*	AE 2017 Worlds Tee, Black (S, M, L, XL-5XL)	1
SP126*	Team Assoc. Tri T-Shirt, Black (S, M, L, XL-5XL)	1
SP128*	Team Assoc. Womens Tri T-Shirt, Black (S, M, L)	1
SP129*	Team Assoc. Youth Tri T-Shirt, Black (S, M, L)	1
SP130*	Team Assoc. Youth WC19 T-Shirt, Black (S, M, L)	1
SP131*	Team Assoc. Womens WC19 T-Shirt, Black (S, M, L)	1
SP132*	Team Assoc. WC19 T-Shirt, Black (S, M, L, XL-5XL)	1
SP143*	Reedy W19 T-Shirt, Black (S, M, L, XL-3XL)	1
SP161*	FT T-Shirt, White (S, M, L, XL-3XL)	1
SP200*	Element RC Logo Tee, Gray (S, M, L, XL-5XL)	1
SP201*	Element RC Rhombus Tee, Black (S, M, L, XL-5XL)	1

HOODIES/JACKETS

SP125*	AE 2017 Worlds Pullover, Black (S, M, L, XL-3XL)	1
SP127*	Team Associated Tri Zip Up, Black (S, M, L, XL-3XL)	1
SP142*	Reedy W19 Hoodie - Black (S, M, L, XL-3XL)	1
SP160*	FT Logo Lightweight "Medal" Zip Up Streaked, Black (S, M, L, XL-4XL)	1
SP230*	Element RC Zip Up, Black (S, M, L, XL-5XL)	1
SP231*	Element RC Hoodie, Black (S, M, L, XL-5XL)	1
SP250*	Element RC Jacket, Black (S, M, L, XL-2XL)	1

HATS

SP20	AE Patch Trucker Hat	1
SP260	Element RC Hat, Curved Bill, Black	1
SP261	Element RC Hat, Flat Bill, Black	1
SP262	Element RC Beanie, Black	1
SP430	Reedy Trucker Hat 2018	1
SP431	Team Associated Tri Trucker Hat, Flat Bill	1
SP432	Team Associated Tri Trucker Hat, Curved Bill	1
SP434	FT Logo Trucker Hat, Flat Bill	1
SP435	FT Logo Trucker Hat, Curved Bill	1

BANNERS/MATS CARRIERS

SP115	Reedy Circuit Cloth Banner	1
SP280	Element RC Counter Top Mat	1
SP281	Element RC Pit Mat	1
SP282	Element RC Pit Towel	1
SP283	Element RC Vinyl Banner, 48x24	1
SP284	Element RC Vinyl Banner, 20x12	1
SP285	Element RC Pin Pattern Counter Top Mat	1
SP425	FT Fluid Carrier	1

** Use part number plus the desired size when ordering!

:: Tools

1111	FT Turnbuckle Wrench	1
1112	FT 4mm Turnbuckle Wrench	1
1113	12mm Big Bore Shock Tool	1
1114	FT Dual Turnbuckle Wrench	1
1449	Off Road Ride Height Gauge	1
1452	FT TC Ride Height Gauge	1
1498	FT Universal Tire Balancer	1
1499	FT Body Reamer	1
1500	FT 1.5mm Hex Driver	1
1501	FT 2.0mm Hex Driver	1
1502	FT 2.0mm Ball Hex Driver	1
1503	FT 2.5mm Hex Driver	1
1504	FT 2.5mm Ball Hex Driver	1
1505	FT 3.0mm Hex Driver	1
1506	FT 5.0mm Hex Driver	1
1507	FT 5.5mm Nut Driver	1
1508	FT 7.0mm Nut Driver	1
1510	FT 1.5mm Hex Replacement Tip	1
1511	FT 2.0mm Hex Replacement Tip	1
1512	FT 2.0mm Ball Replacement Tip	1
1513	FT 2.5mm Hex Replacement Tip	1
1514	FT 2.5mm Ball Replacement Tip	1
1515	FT 3.0mm Hex Replacement Tip	1
1518	FT Hex Driver Tool Set (3pcs)	1
1519	FT Hex/Nut Driver Tool Set (5pc)	1
1522	FT Digital Scale, 100/0.01g	1
1555	FT Clutch Gauge, 4 Shoe	1
1568	FT 5.5mm Short Nut Driver	1
1569	FT 7mm Nut Driver, T-Handle	1
1570	FT 5.5mm Short Nut Driver	1
1571	FT 1:8 Wheel Nut Wrench, 17mm Hex	1
1579	FT Ball Cup Wrench	1
1595	Chassis Weights, 1/4 oz	1
1650	7 Piece Hex Driver Set	1
1657	FT 1/4" Hex Drive .050" Tip	1
1658	FT 1/4" Hex Drive 1/16" Tip	1
1659	FT 1/4" Hex Drive 5/64" - 2.0mm Tip	1
1660	FT 1/4" Hex Drive 3/32" Tip	1
1661	FT 1/4" Hex Drive 1.5mm Tip	1
1662	FT 1/4" Hex Drive 2.5mm Tip	1
1666	FT 1/4" Hex Drive 5.5mm Nut Driver Tip	1
1667	FT 1/4" Hex Drive 7.0mm Nut Driver Tip	1
1668	FT 1/4" Hex Drive 8.0mm Nut Driver Tip	1
1674	FT 1/4" 5 Piece Power Tool Tips Set (5/64-2.0mm, 1.5mm, 2.5mm, 5/64"- 2.0mm ball, 2.5mm ball)	1
1675	FT Shock Shaft Pliers	1
1679	FT T-Handle Ratchet Driver	1
1719	FT Camber + Track Width Tool	1
1737	FT Body Scissors	1
3718	12 Inch Nylon Wire Ties	12
3987	FT Droop Gauge	1
89240	RC8 FT Turnbuckle Wrench	1

:: Contact Information

Check out the following web sites for all of our electric kits, current products, new releases, setup help, tips, and racing info!

Associated Electrics, Inc.
 21062 Bake Parkway
 Lake Forest, CA 92630-8853 USA
<http://www.TeamAssociated.com>
<http://www.RC10.com>
http://twitter/Team_Associated
<http://www.instagram.com/teamassociatedrc/>
<http://www.facebook.com/TeamAssociated/>

call: (949) 544-7500
 fax: (949) 544-7501

:: Notes

TEAM ASSOCIATED

WORLD CHAMPION R / C CARS

Associated Electrics, Inc.
21062 Bake Parkway Lake Forest, CA 92630 USA

call: (949) 544-7500 - fax: (949) 544-7501
Check out the following web sites for all of our kits,
current products, new releases, setup help, tips, and racing info!
www.AssociatedElectrics.com

FOLLOW US ON SOCIAL MEDIA



TeamAssociated
ReedyPower
ElementRC



@TeamAssociatedRC
@ReedyPower
@Element_RC



@Team_Associated
@ReedyPower



AEFactoryTeam